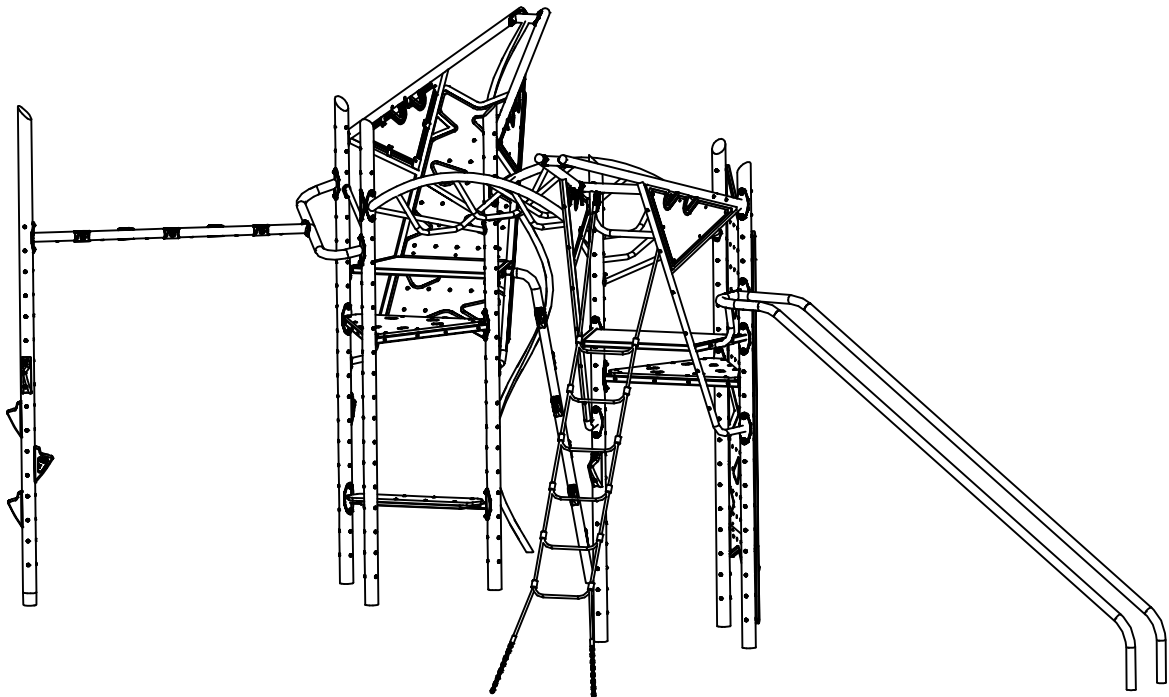
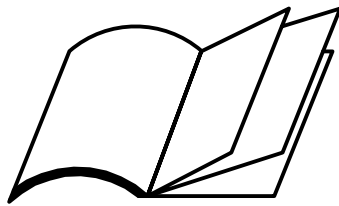


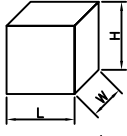
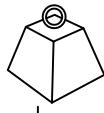
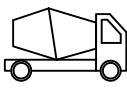
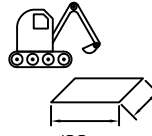
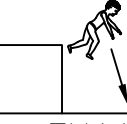

HAGS

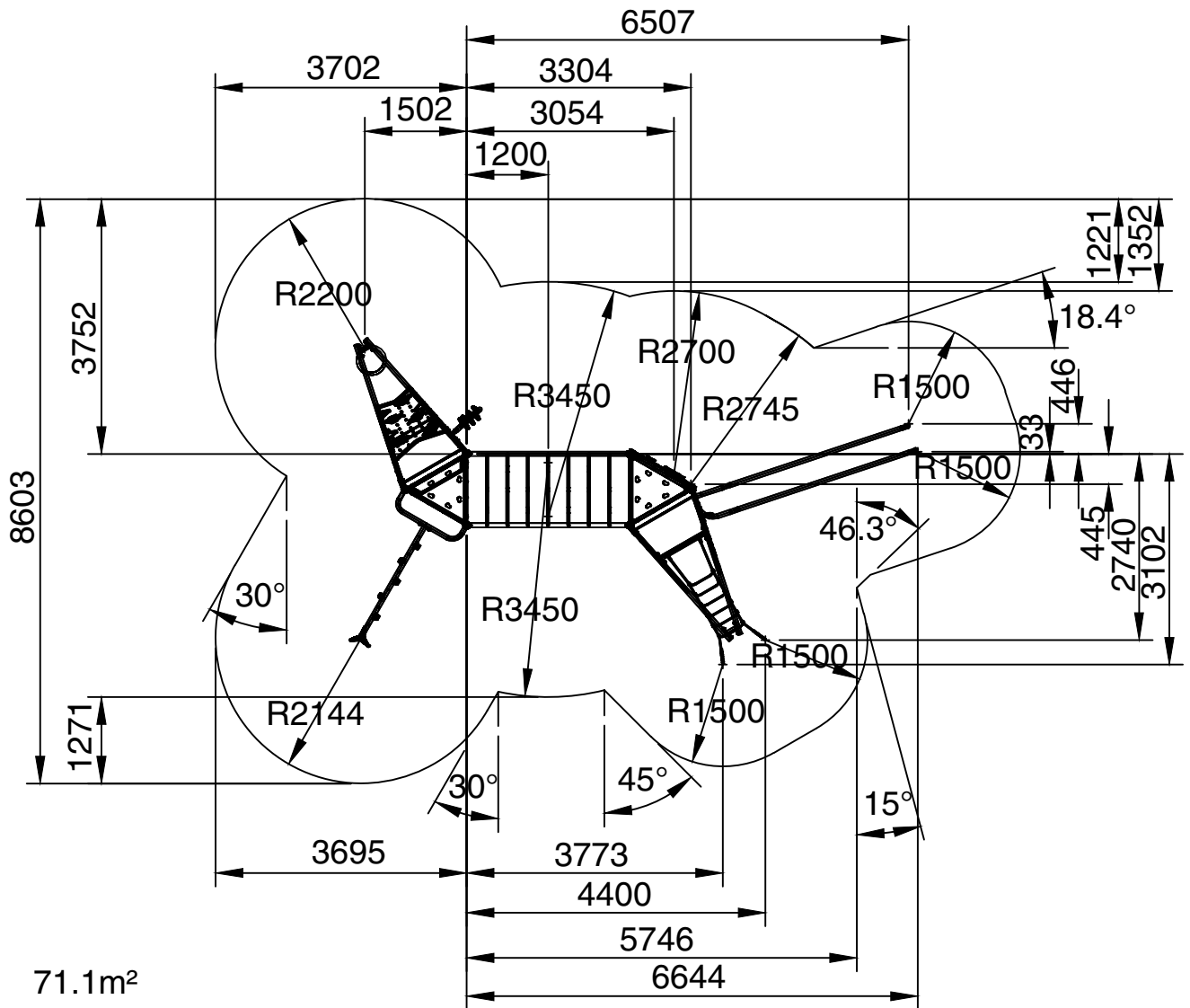
NEXUS ALTITUDE NXA-05B

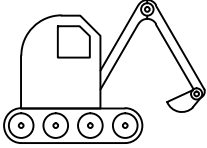




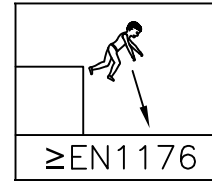
Section 1:

	 LxWxH (m)	 kg	 m ³	 m	 ≥EN1176	 x 3 = T
NXA-05B	8.37 x 4.82 x 3.57	853.0	2.89	14.0 X 10.0	3.0m	T = 36h

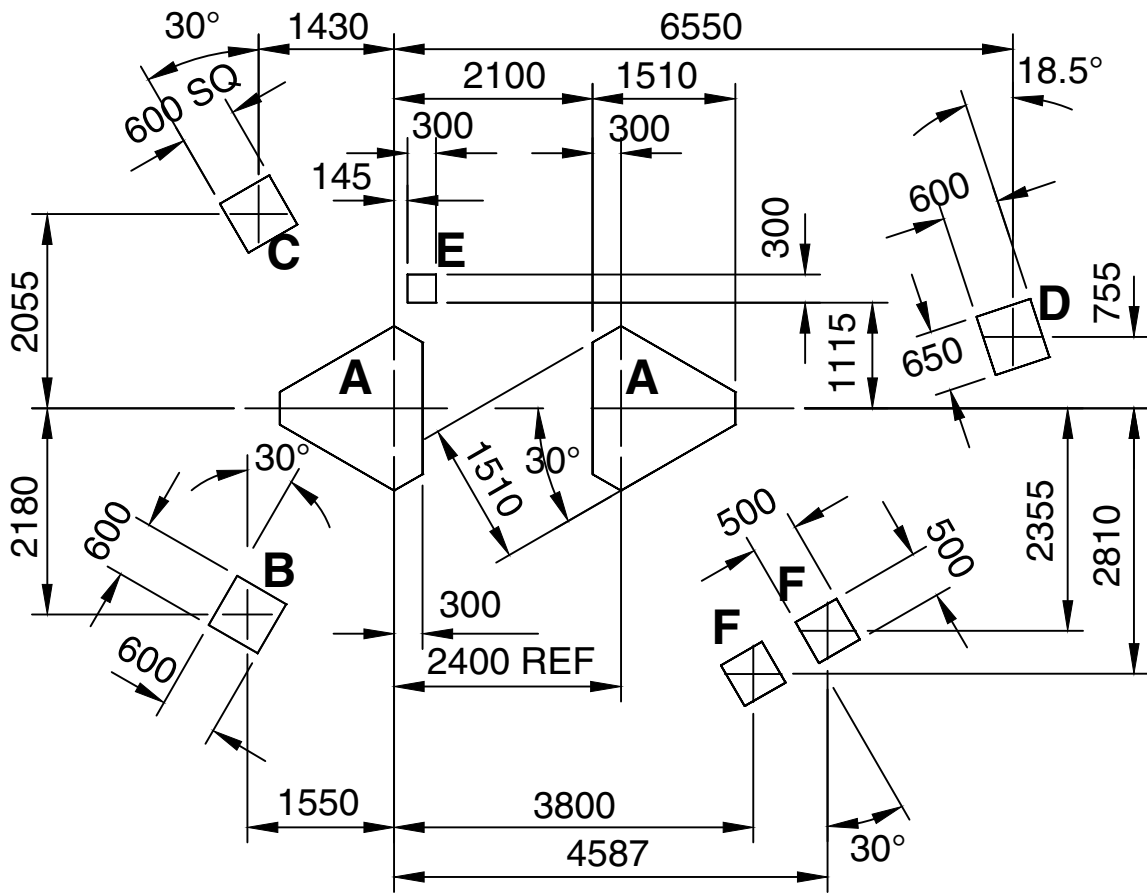


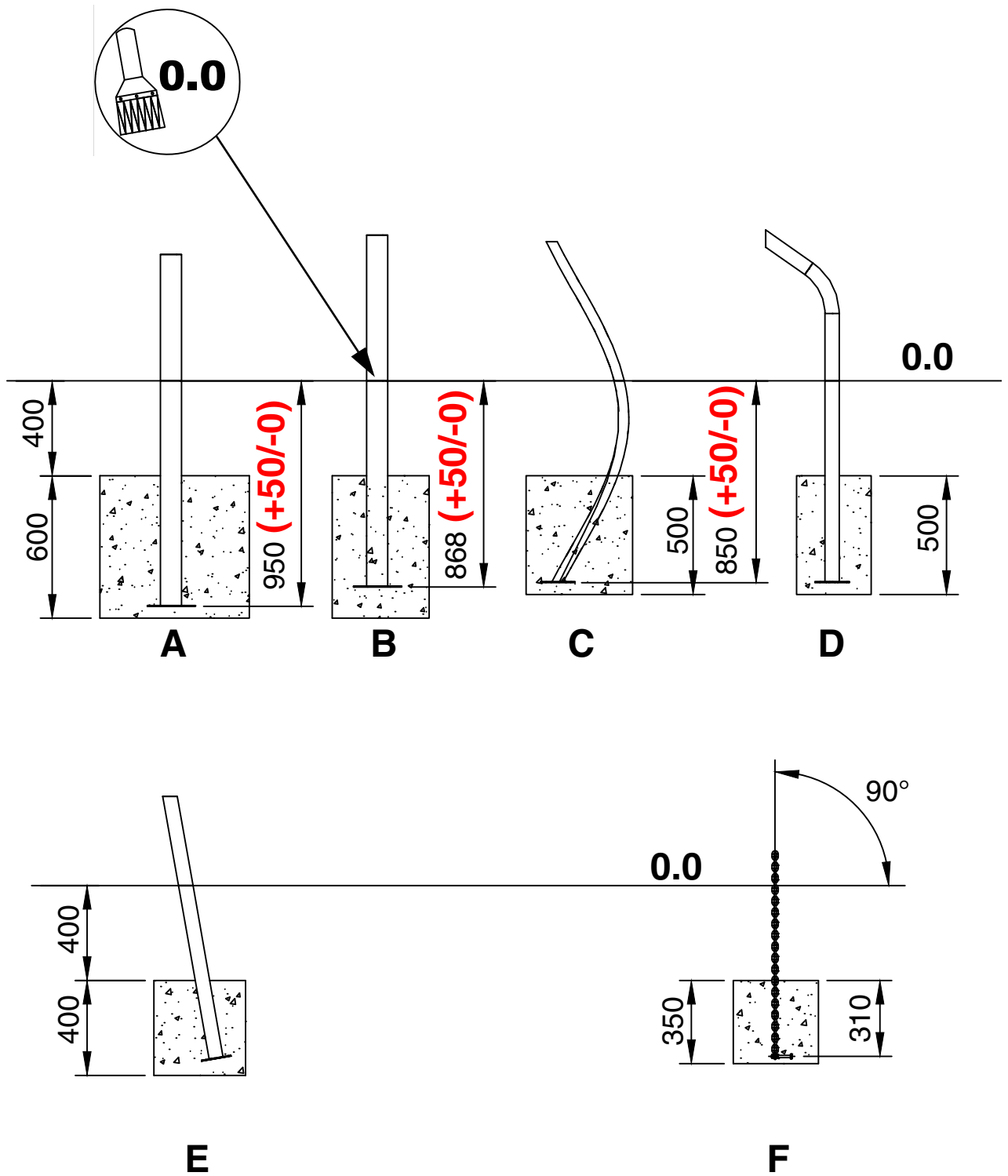


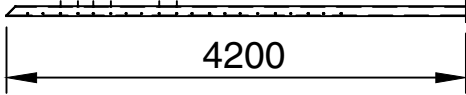
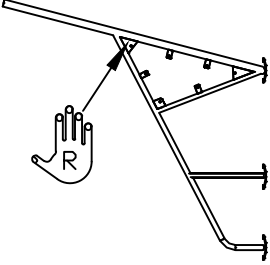
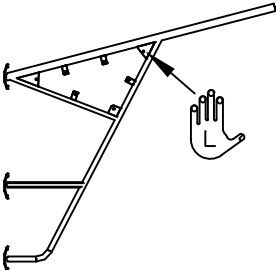
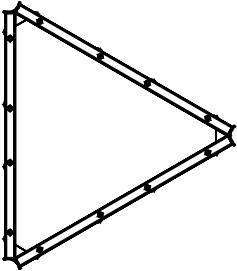
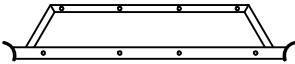
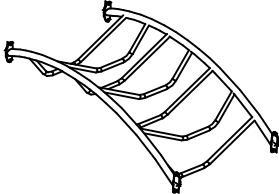
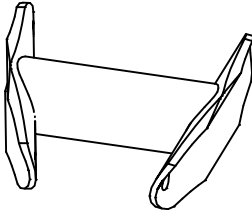
TYPE 1/2 & 3

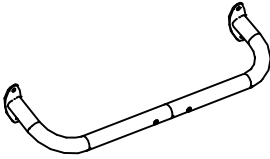
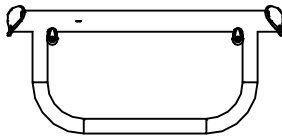
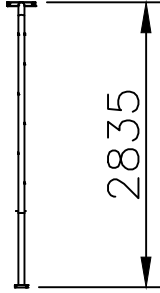
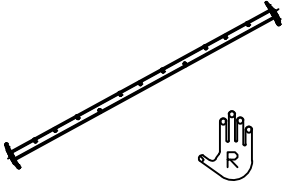
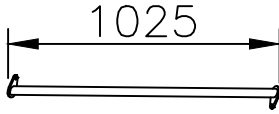
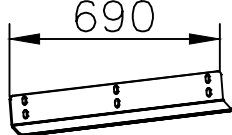
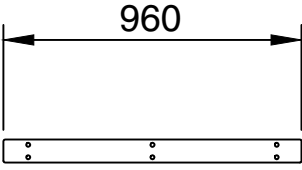


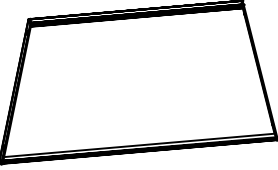
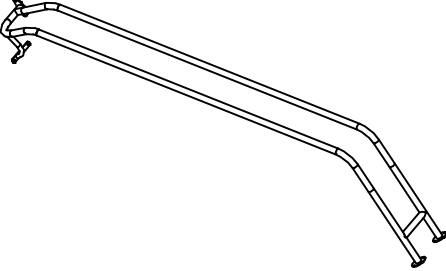
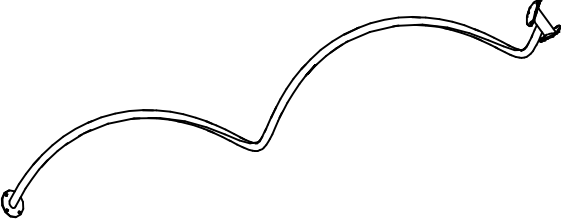
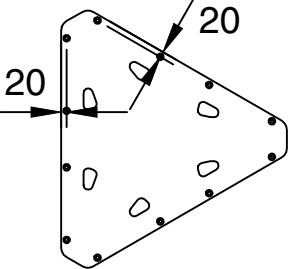
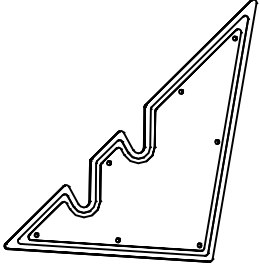
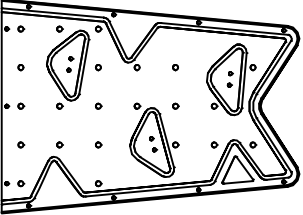
3.0 m

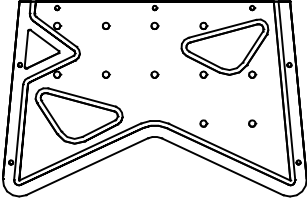
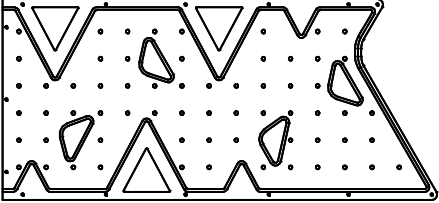
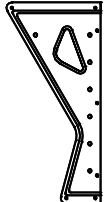
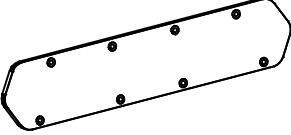
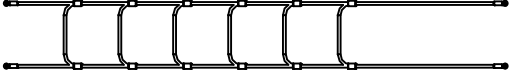

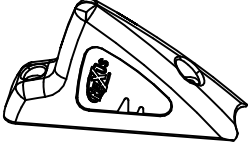
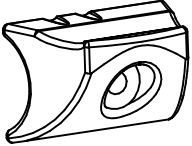


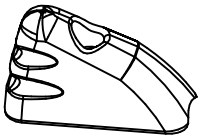
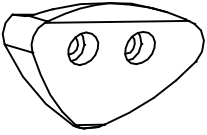
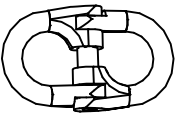

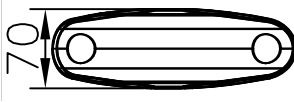
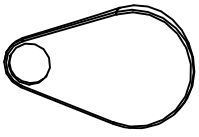
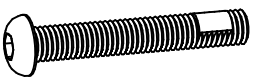





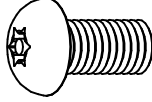
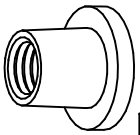

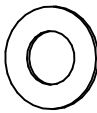

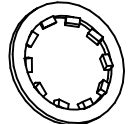
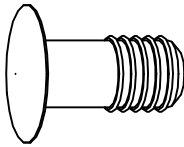
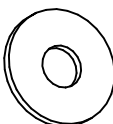
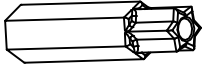
ITEM	REF	NXA-05B	QTY	kg
1	92003001		7	49.00
2	92003005		2	24.00
3	92003010		2	24.00
4	91010030		2	11.00
5	91020010		1	6.50
6	91030020		1	56.00
7	91070010		1	2.00

ITEM	REF	NXA-05B	QTY	kg
8	91050610		1	14.00
9	92003020		1	7.00
10	91050230		1	14.00
11	91061320		1	15.00
12	91050415		3	3.00
13	91070240		1	3.20
14	92003025		1	2.50

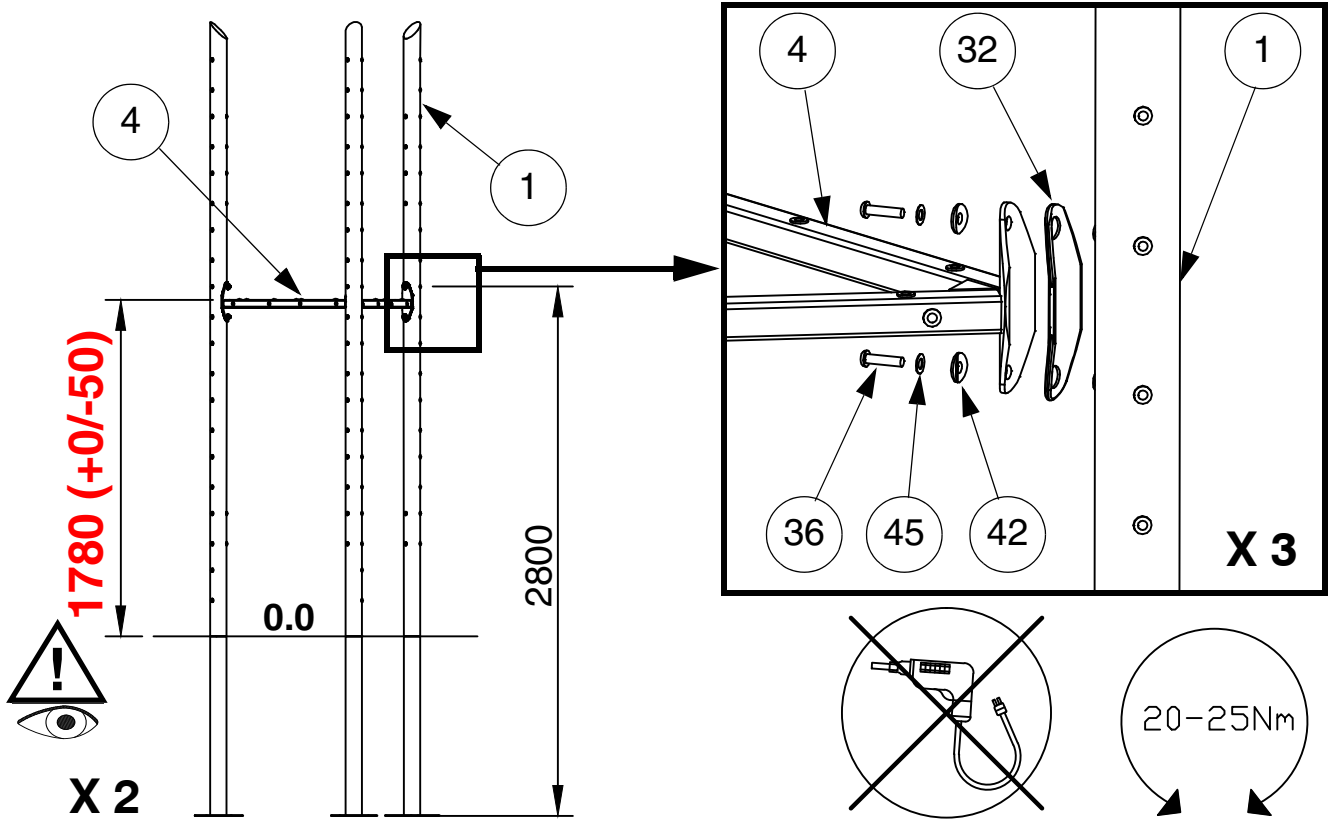
ITEM	REF	NXA-05B	QTY	kg
15	91070410		2	16.5
16	92004001		1	64.00
17	92004005		1	20.00
18	91010040		2	8.00
19	92002020		4	4.80
20	92002010		1	13.30

ITEM	REF	NXA-05B	QTY	kg
21	92002015		1	7.80
22	92002001		1	43.00
23	92002005		1	5.30
24	91020020		1	3.50
25	92006001		1	5.80
26	38008027		2	1.50
27	92004010		6	0.75
28	92004015		5	0.30

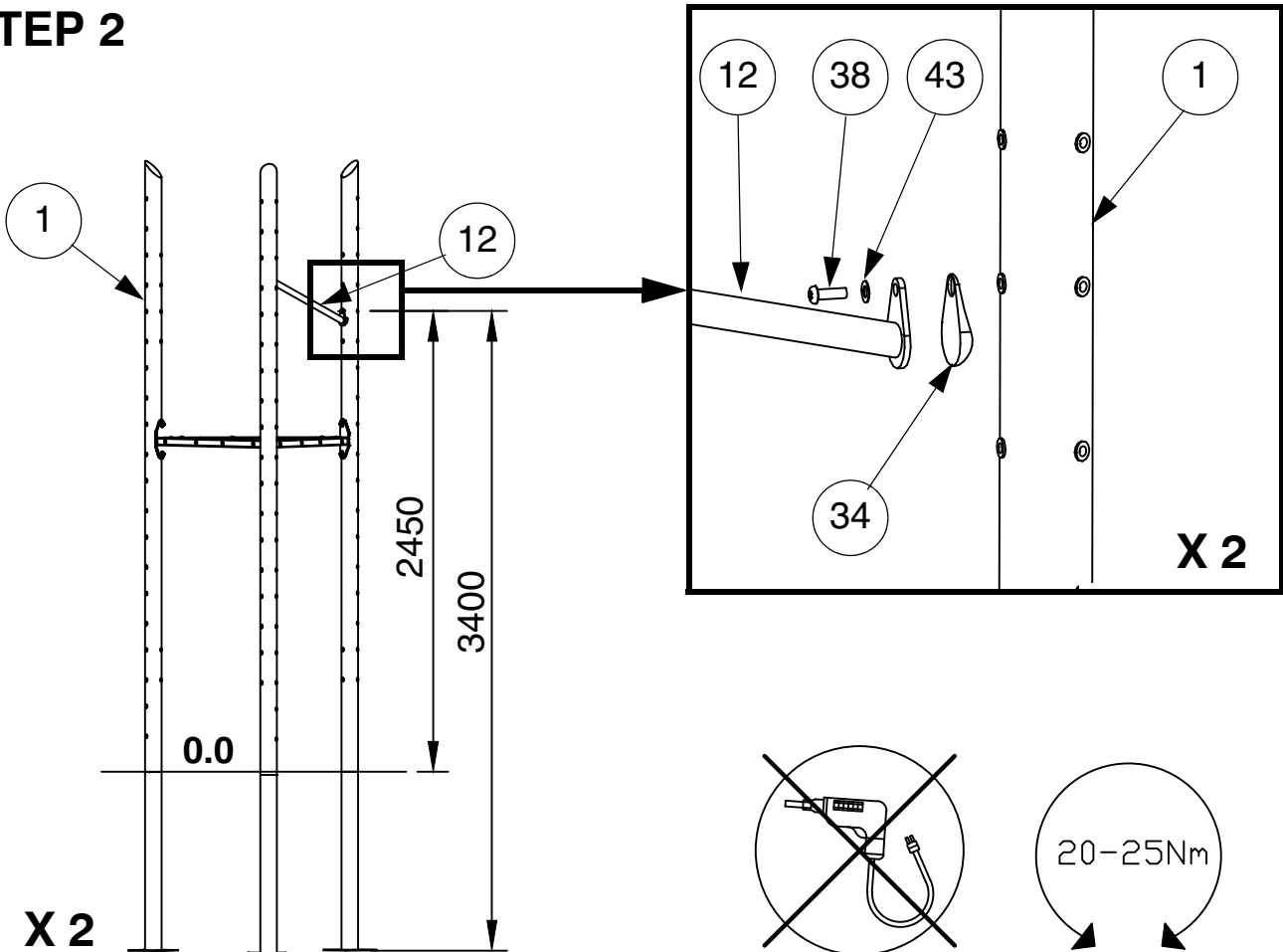
ITEM	REF	NXA-05B	QTY	kg
29	92004020		7	0.40
30	91070241		10	0.42
31	15715000		4	0.10
32	19023802		28	0.05
33	19023803		7	0.05
34	19025501		6	0.05
35	10121065	 M10 X 65	24	0.050
36	10121040	 M10 X 40	98	0.037
37	10121035	 M10 X 35	32	0.032
38	10121030	 M10 X 30	10	0.028

ITEM	REF	NXA-05B	QTY	kg
39	10121025	 M10 X 25	39	0.024
40	10121020	 M10 X 20	9	0.020
41	10931000	 M10	60	0.020
42	38001019	 M10 12X32X6.5	70	0.002
43	10291000	 M10 11X21X1	134	0.002
44	10301200	 M12 13X20X1	60	0.002
45	10301000	 M10 12X18X1	90	0.001
46	19024501		373	0.001
47	10309999	 M10 11X30X2.5	8	0.011
48	10121000	 T45 M10	3	-

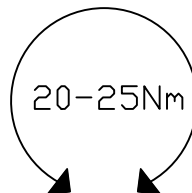
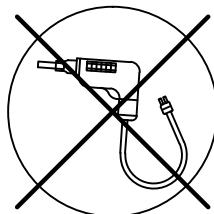
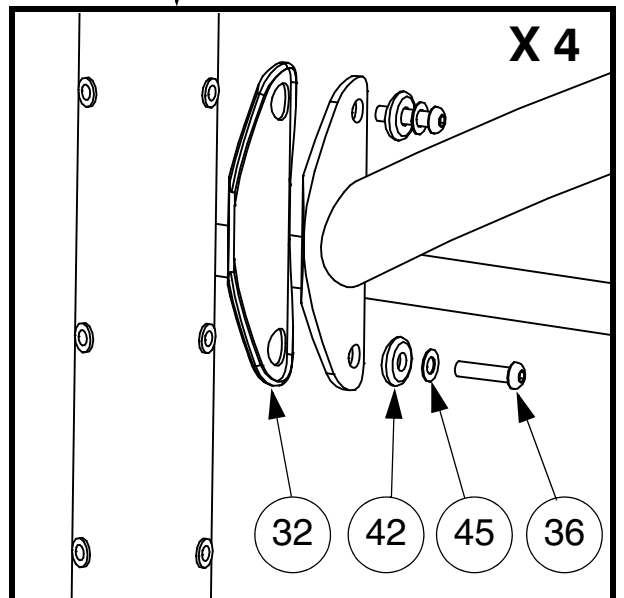
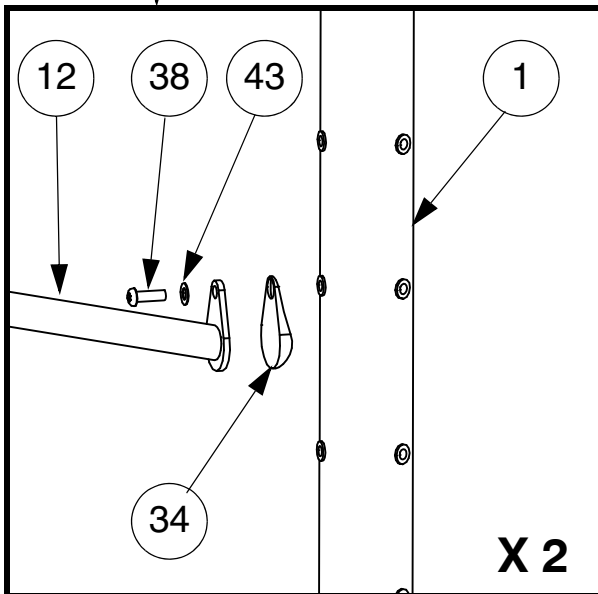
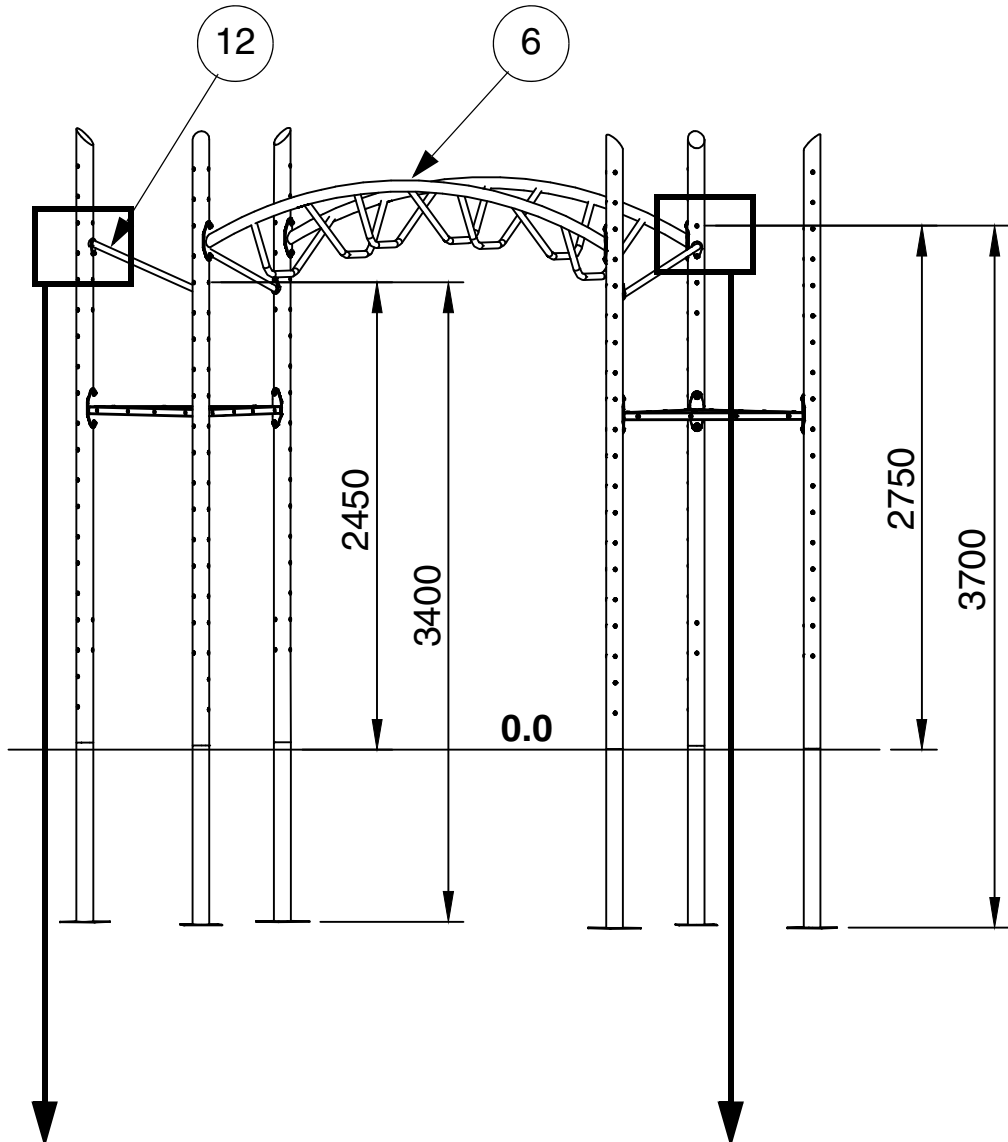
STEP 1



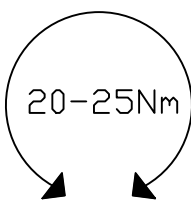
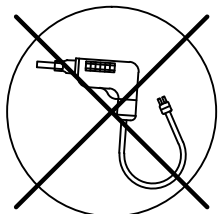
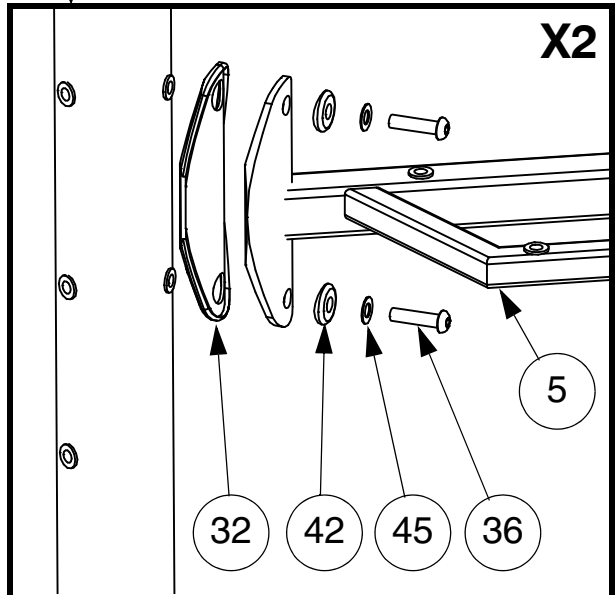
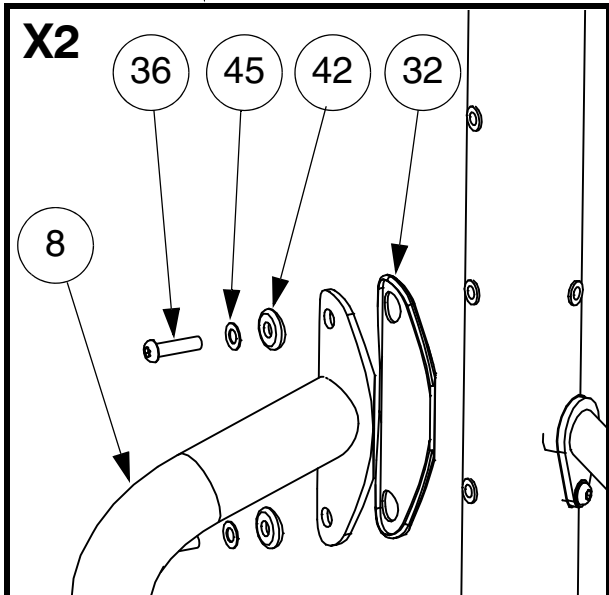
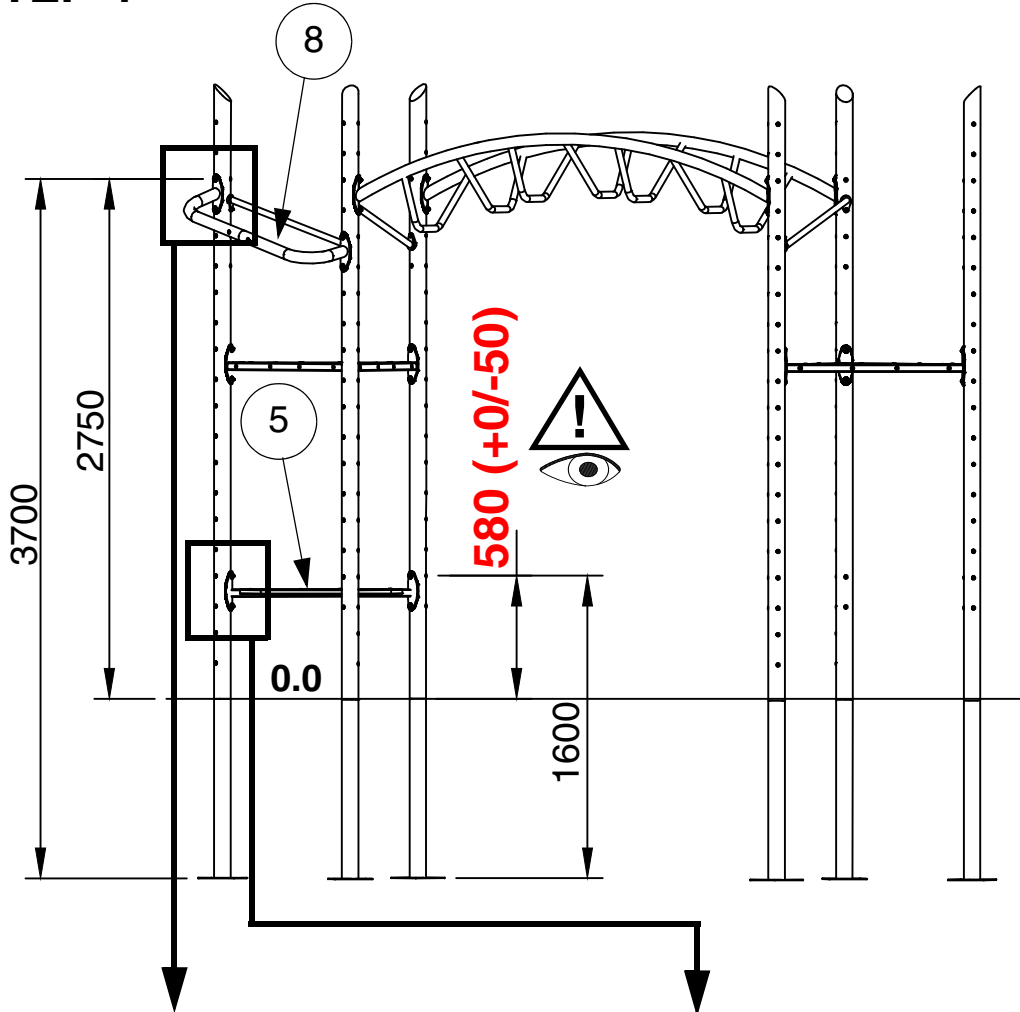
STEP 2



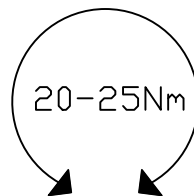
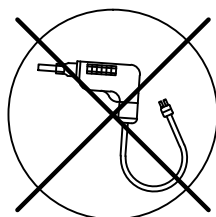
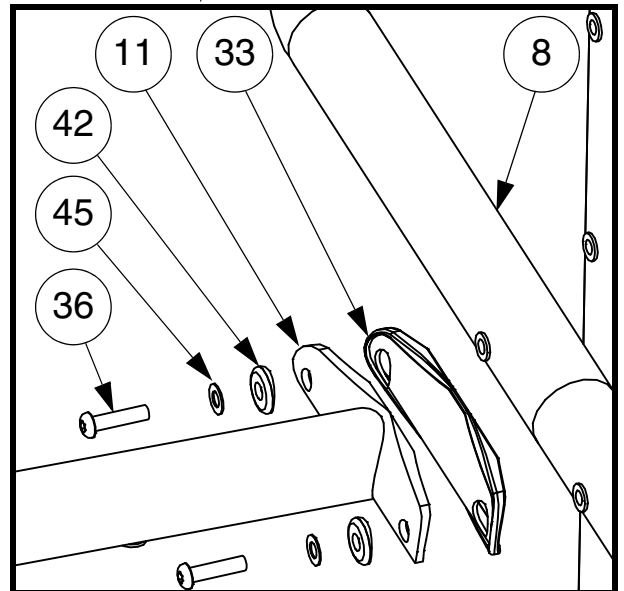
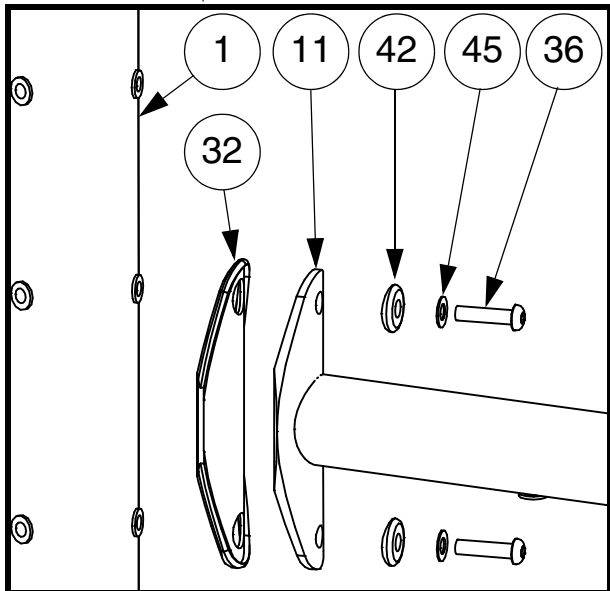
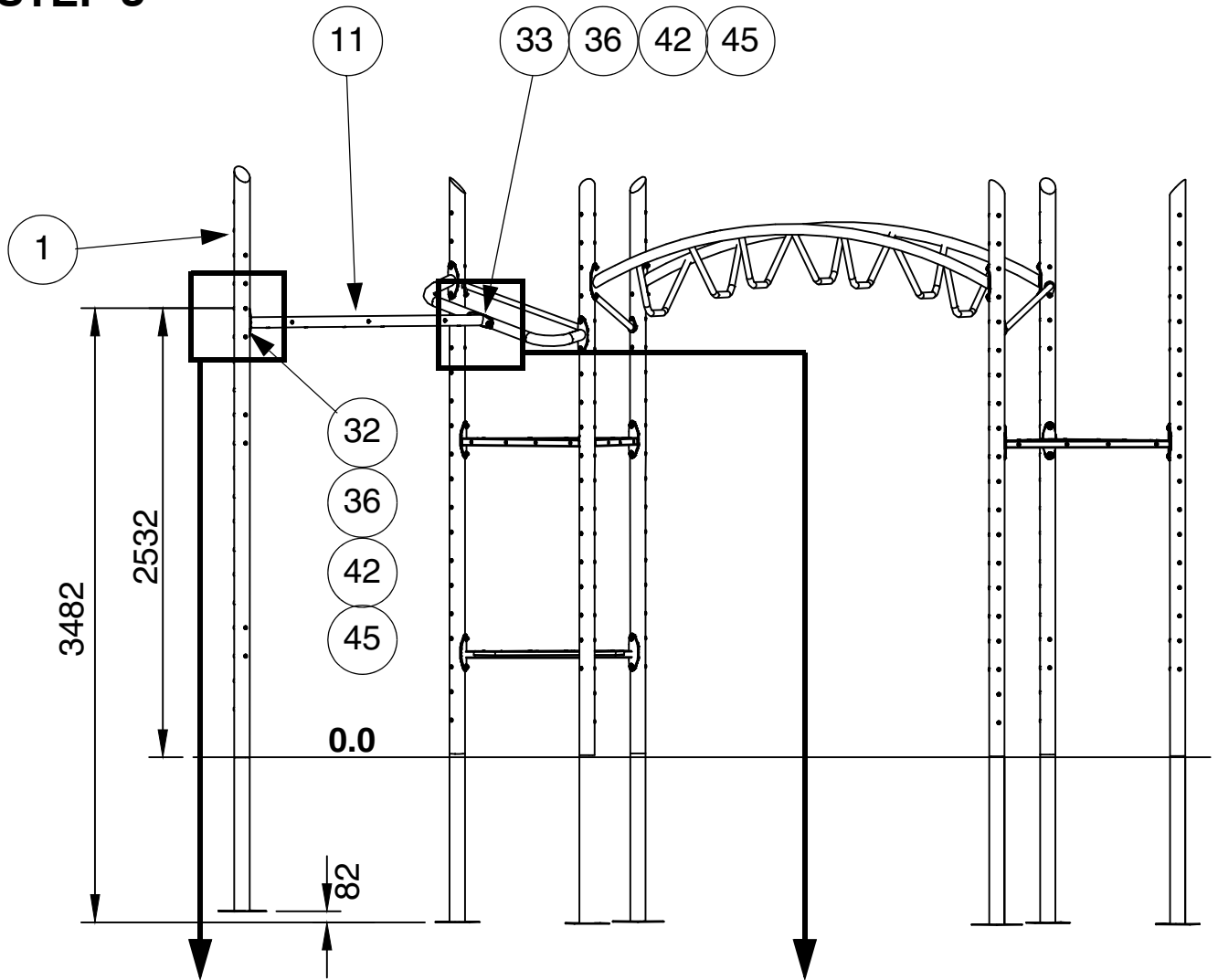
STEP 3



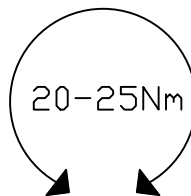
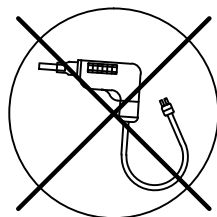
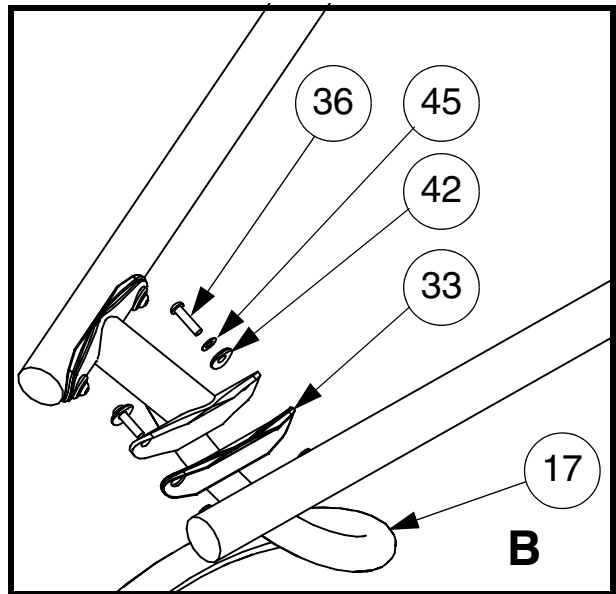
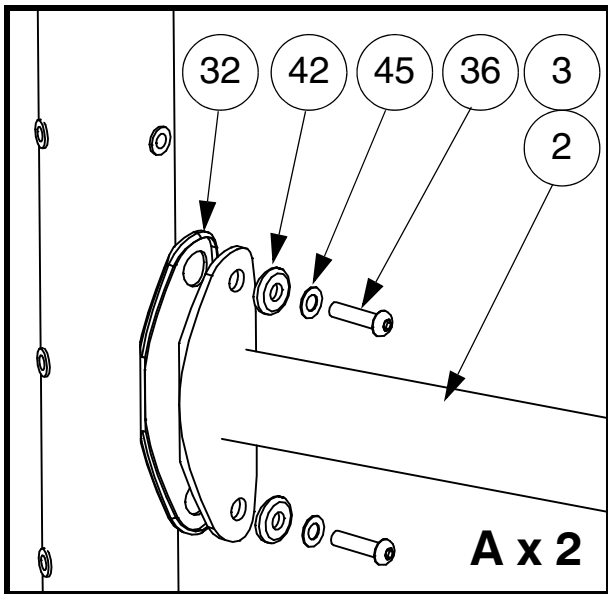
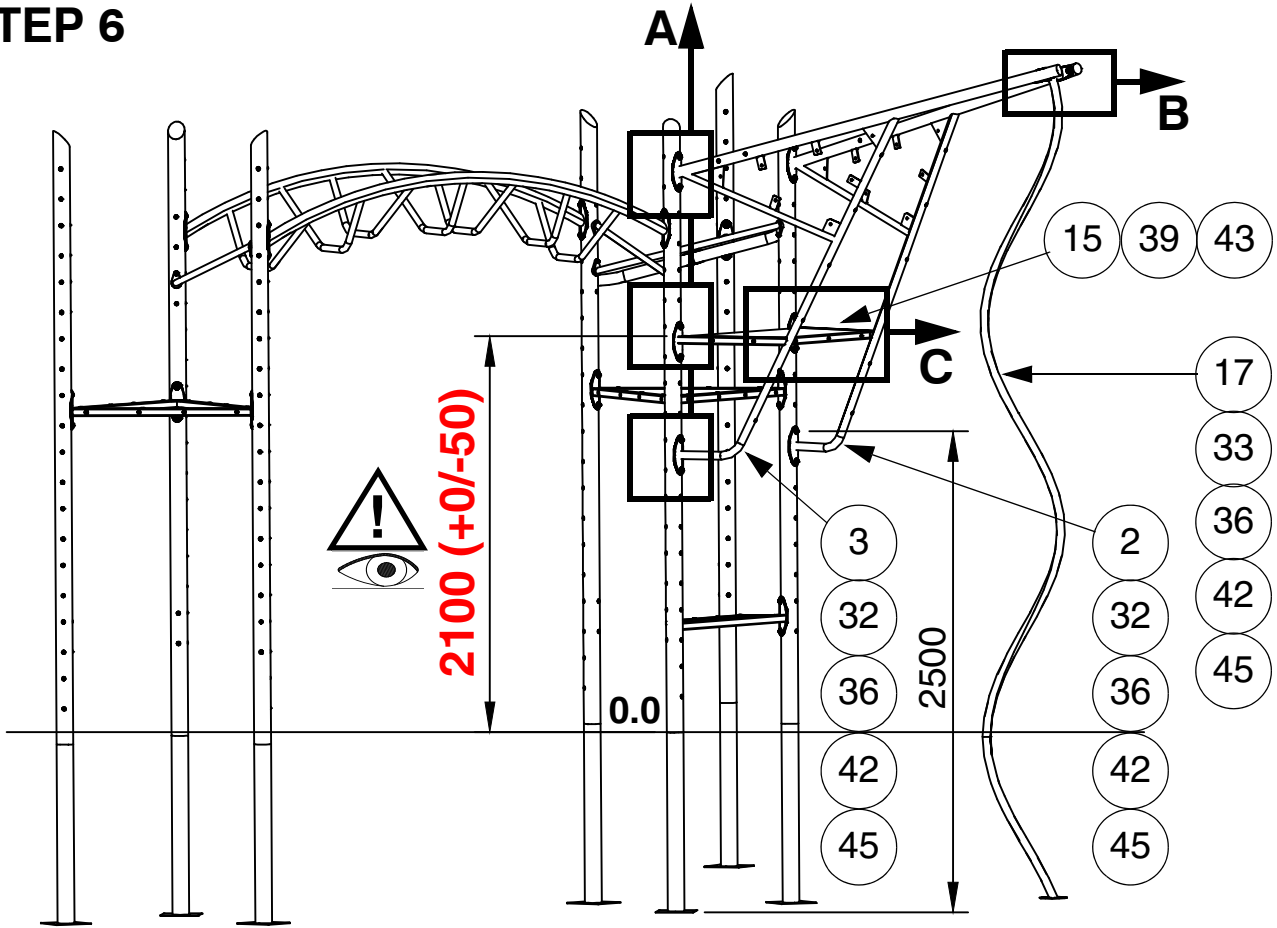
STEP 4

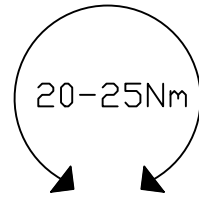
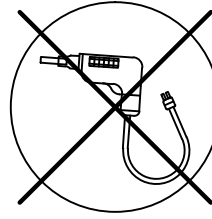
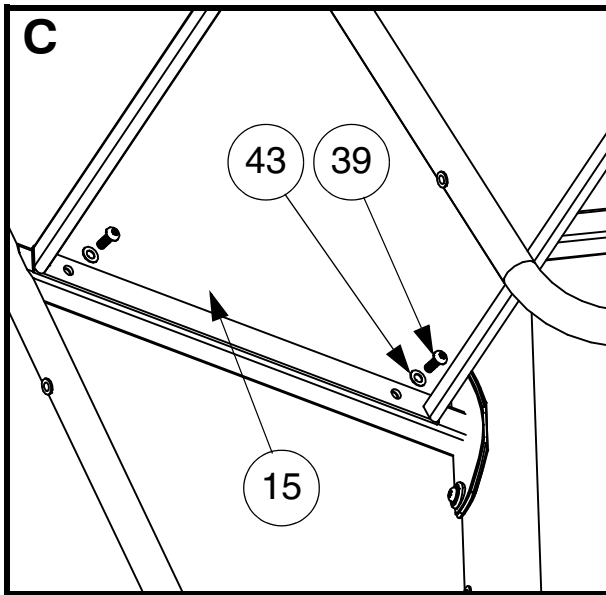


STEP 5

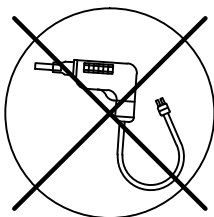
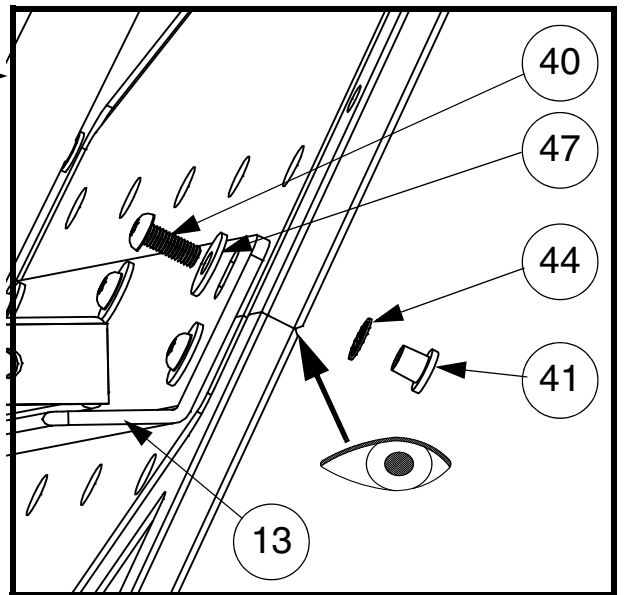
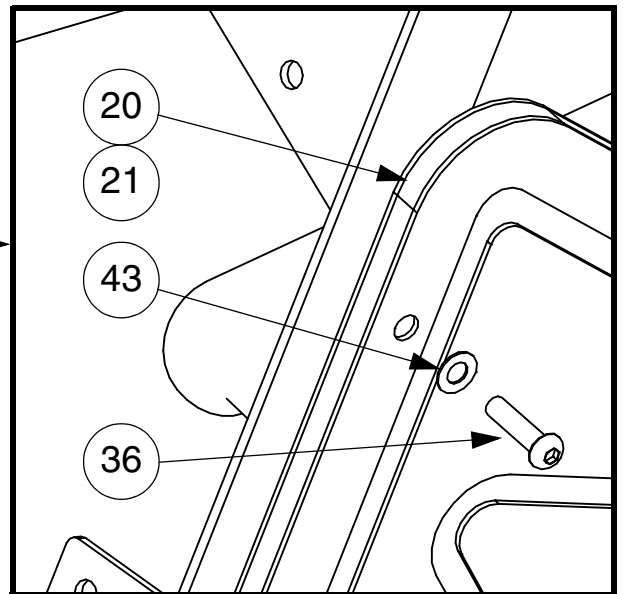
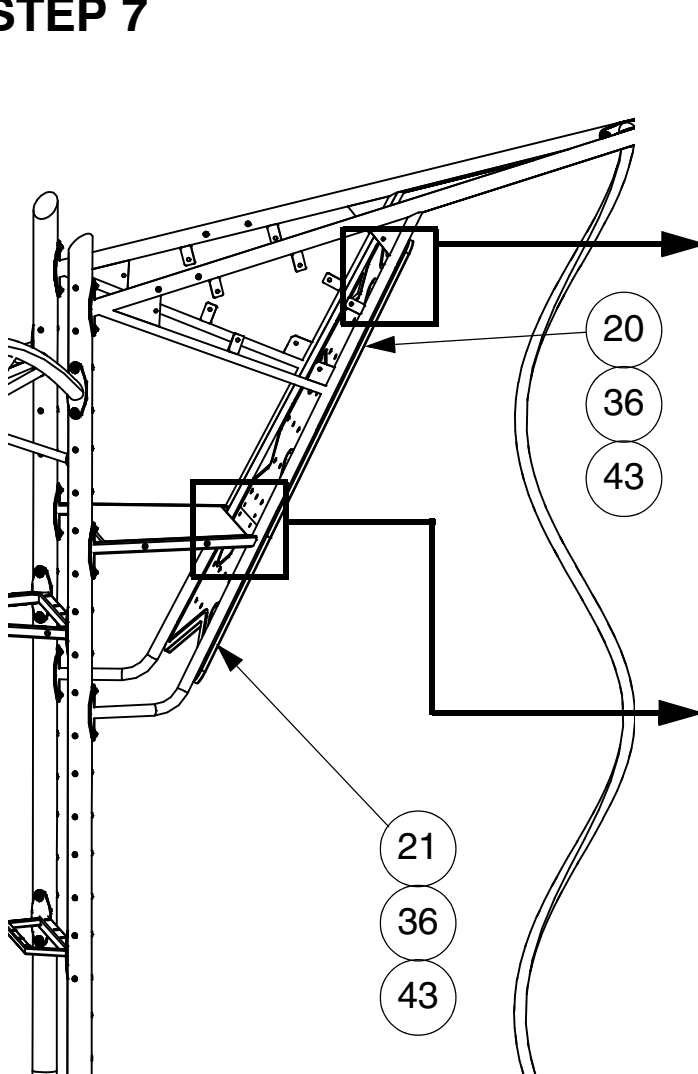


STEP 6

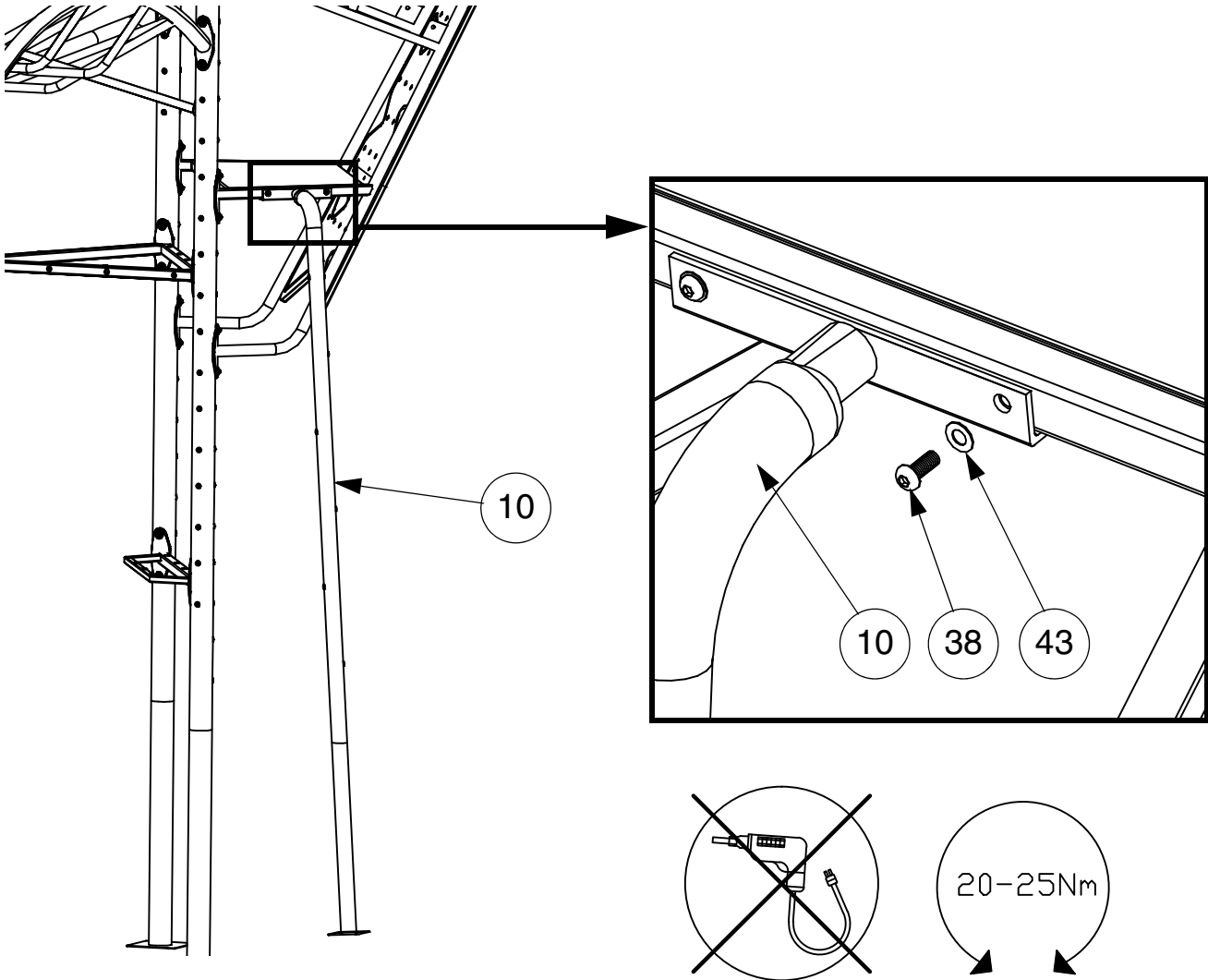




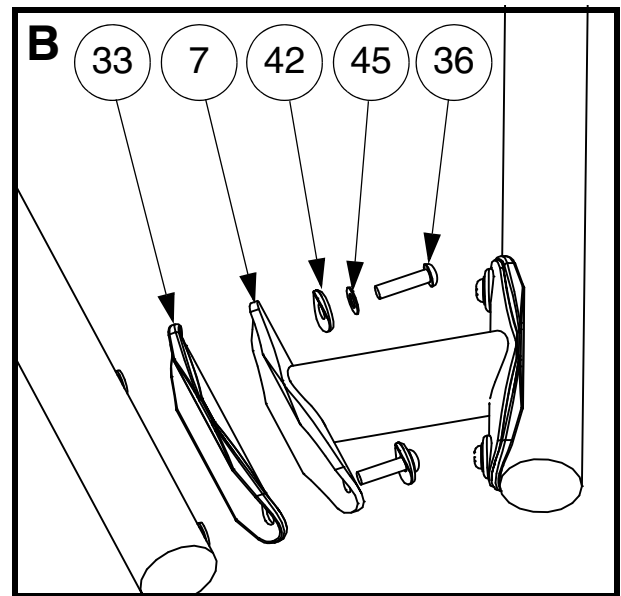
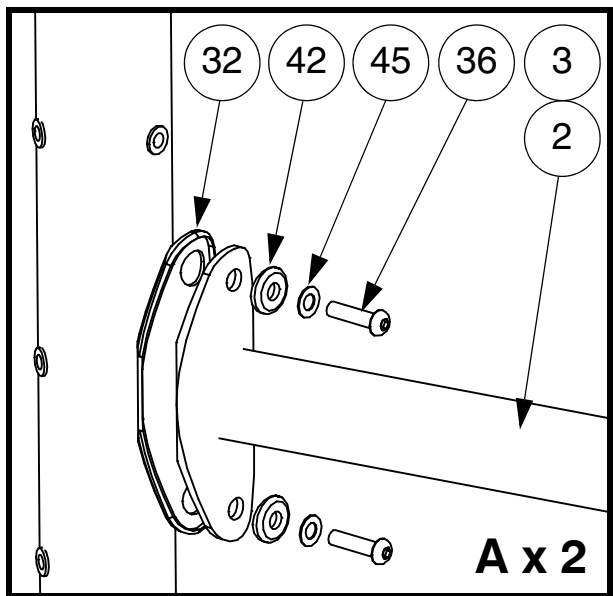
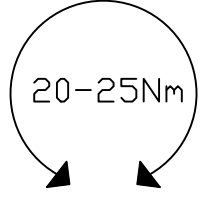
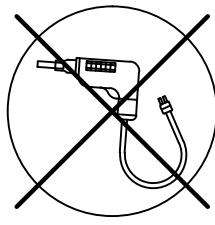
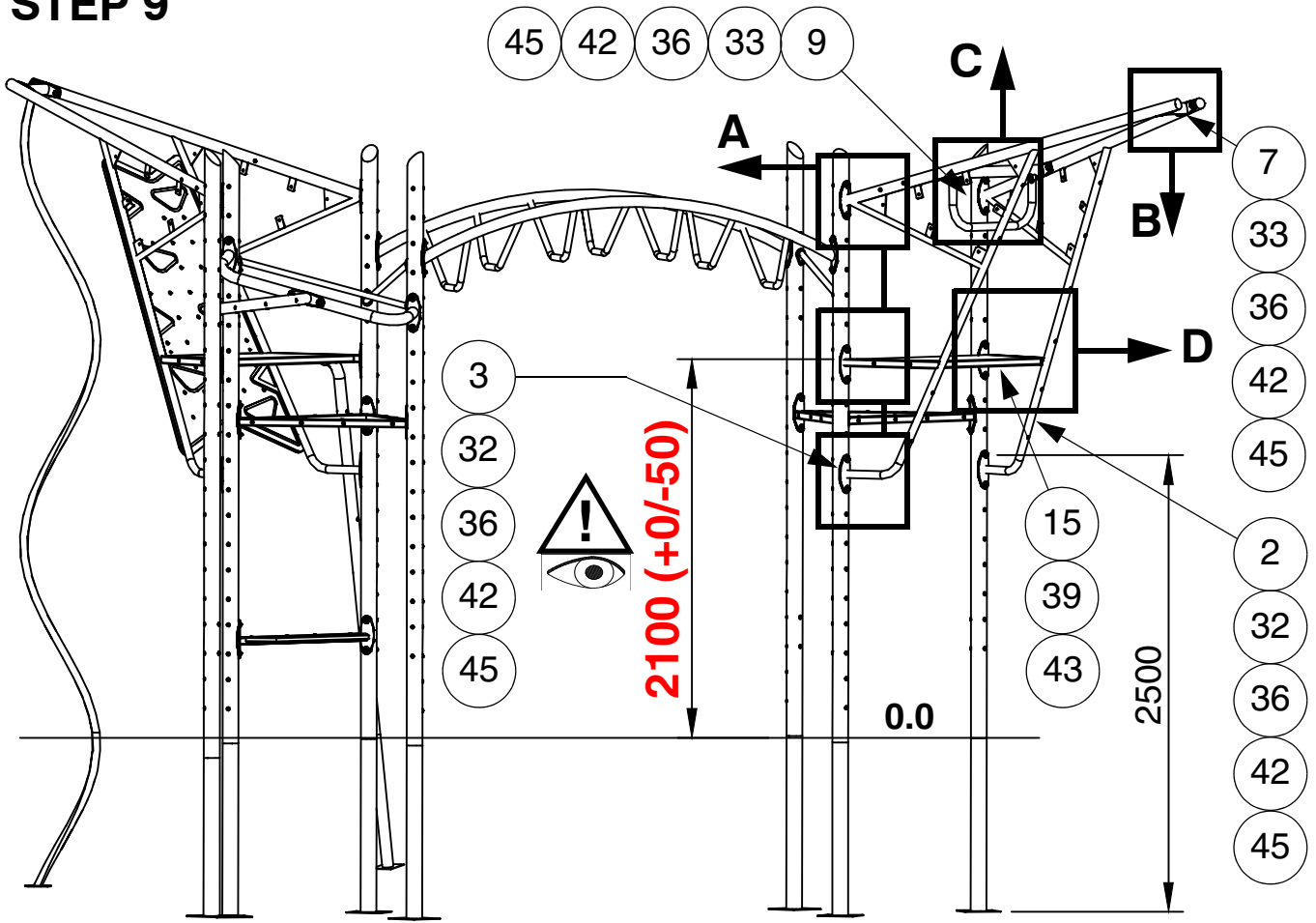
STEP 7

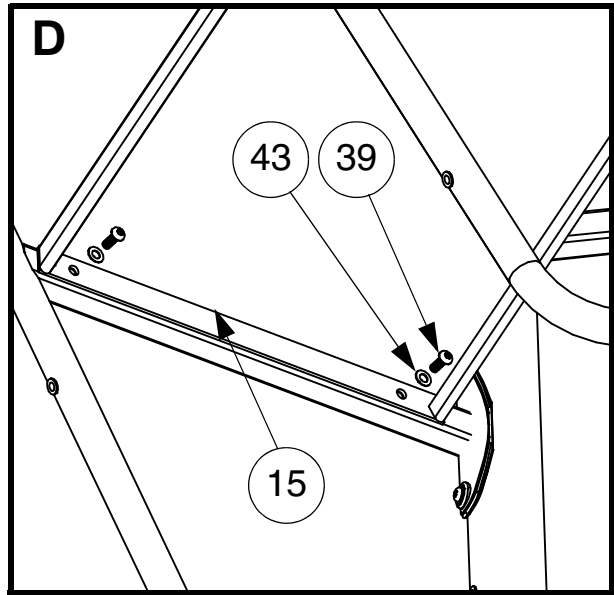
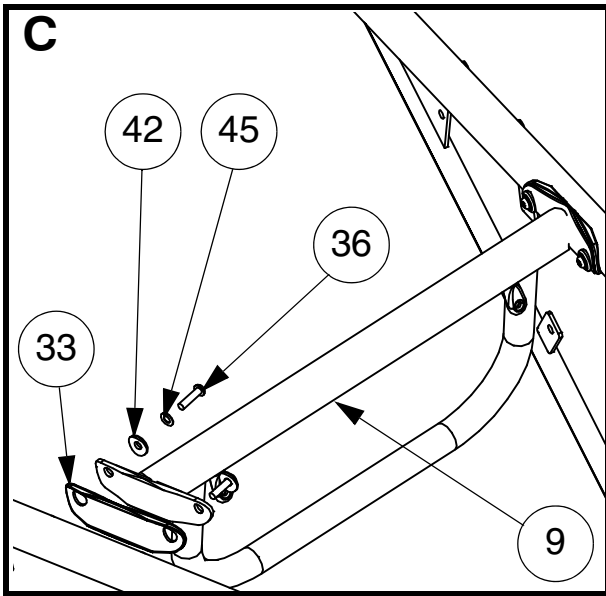


STEP 8

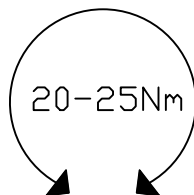
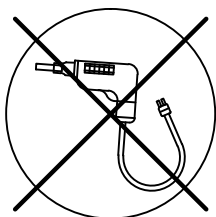
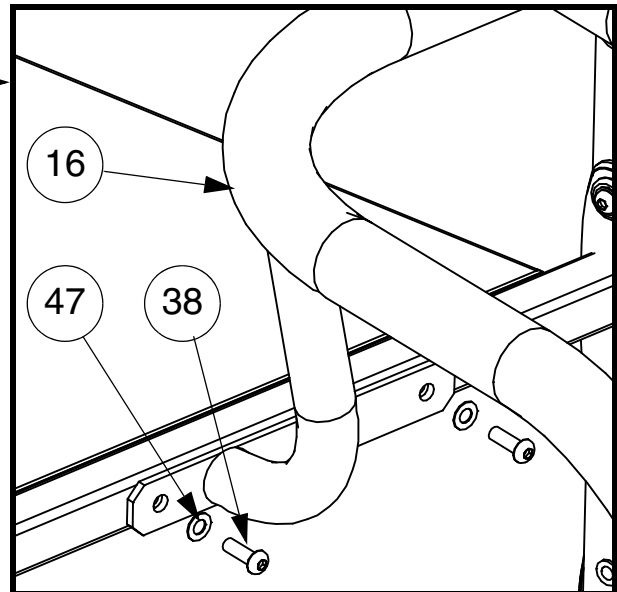
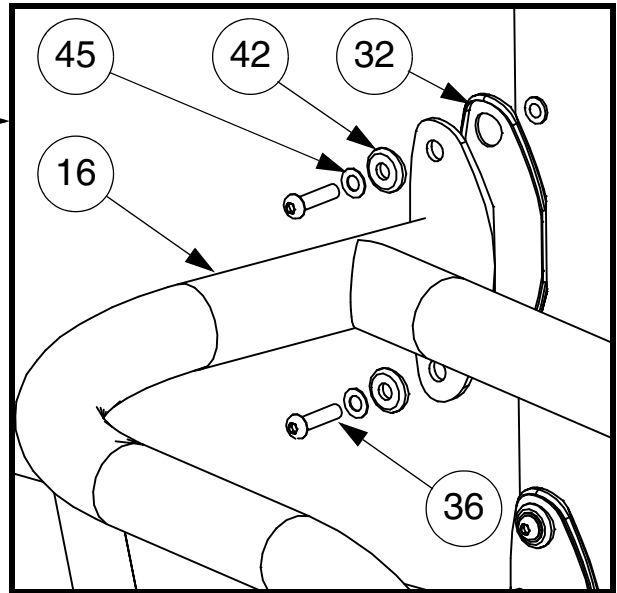
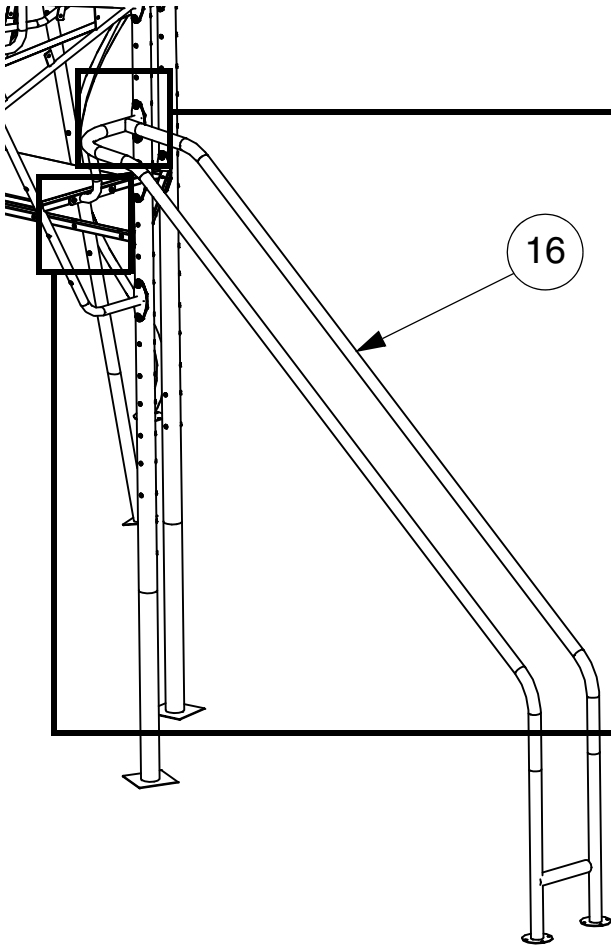


STEP 9

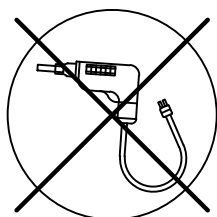
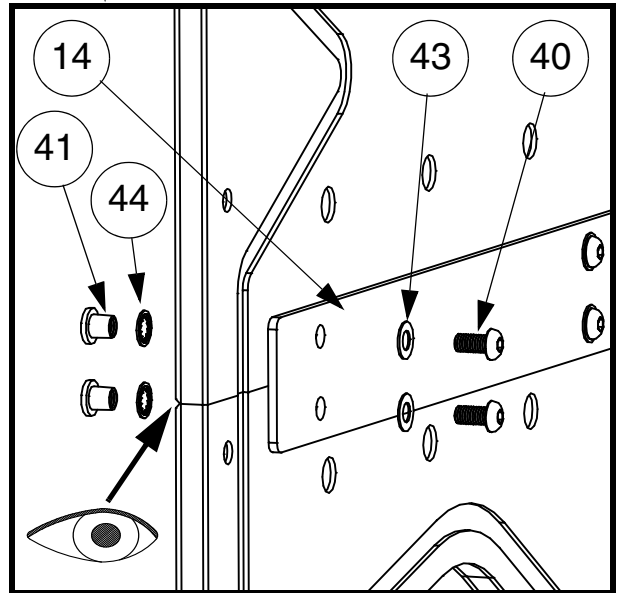
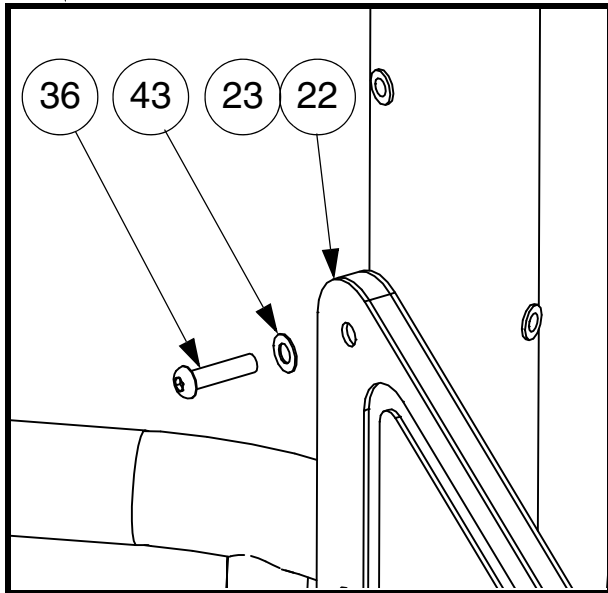
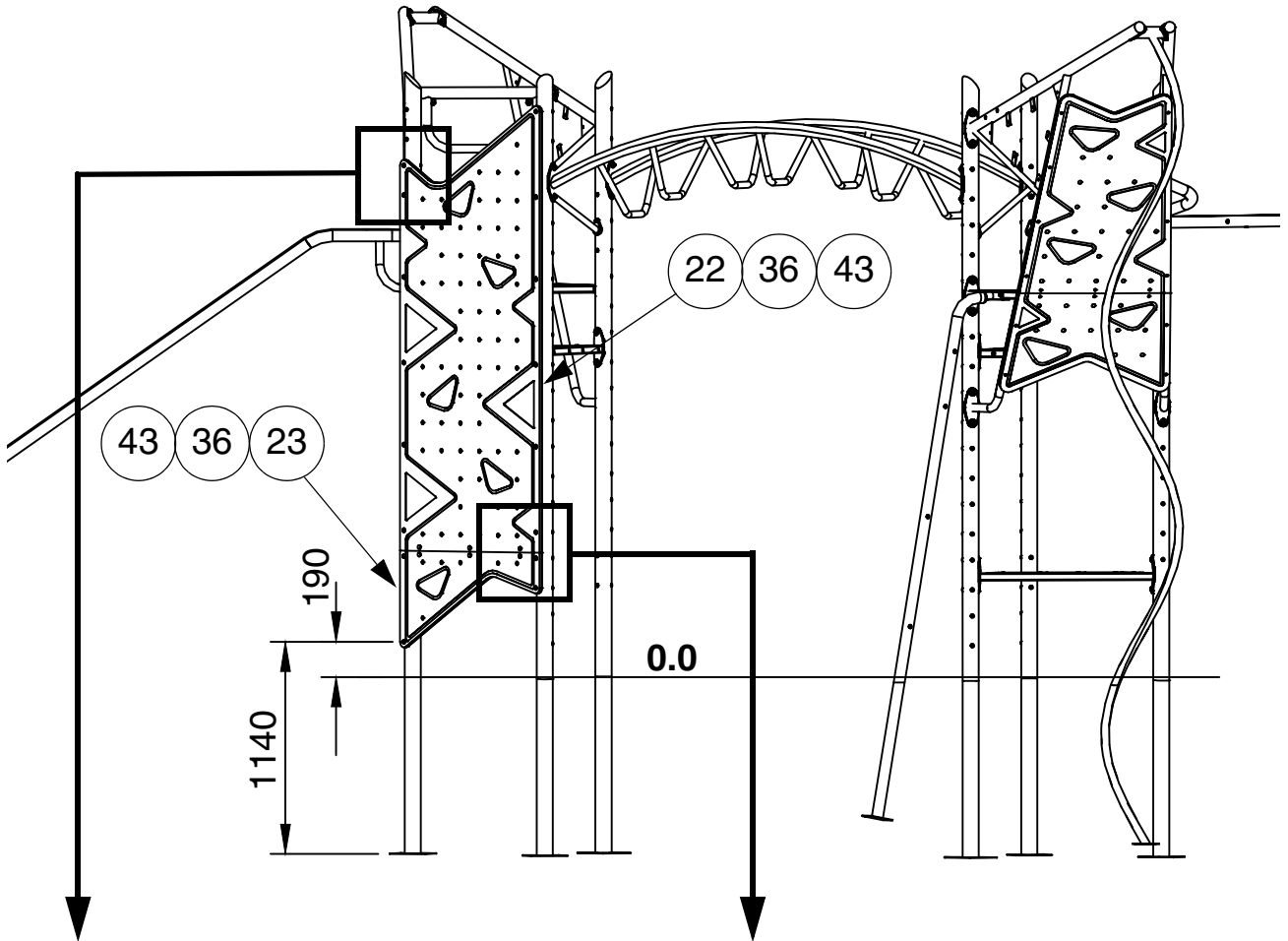




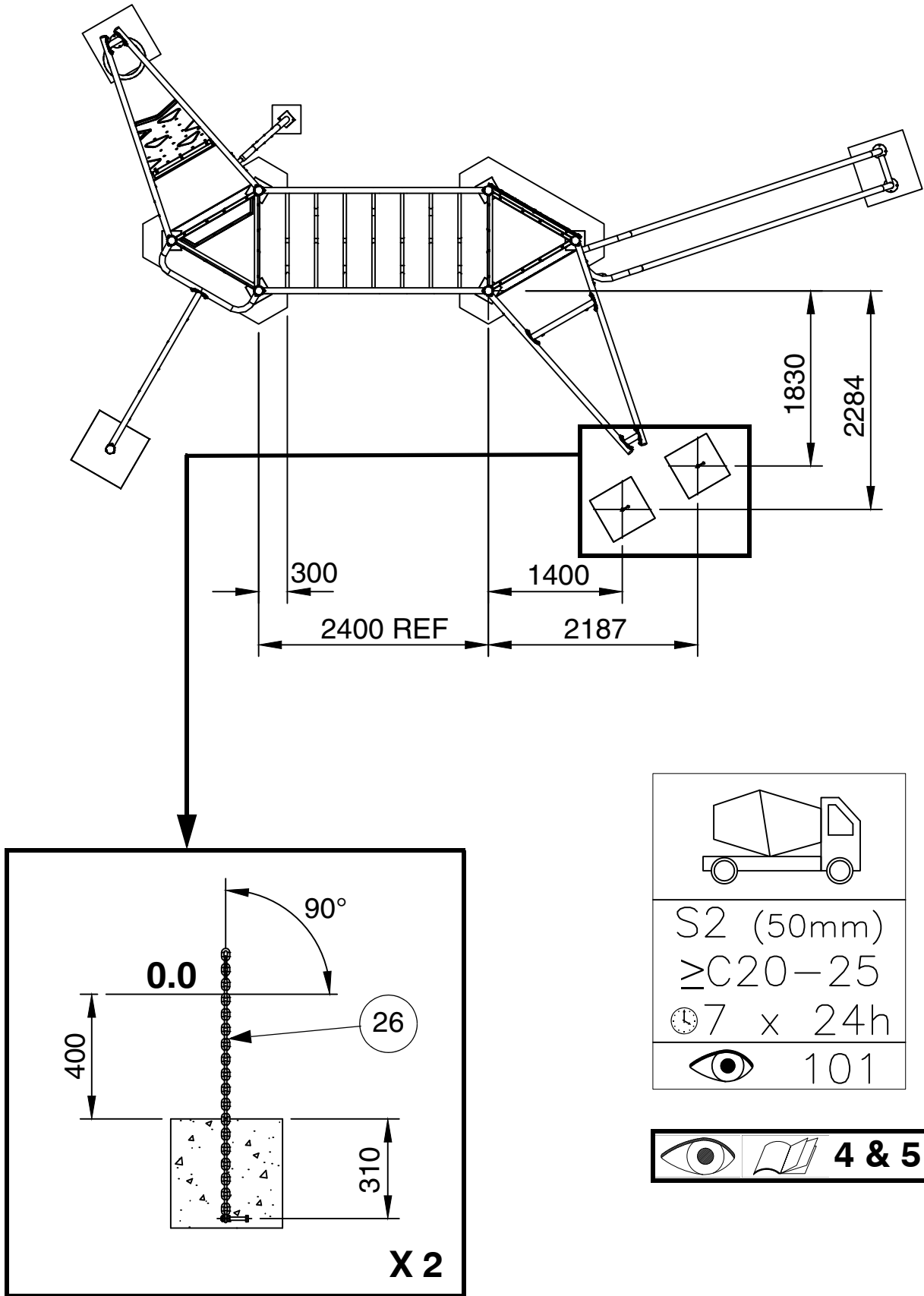
STEP 10



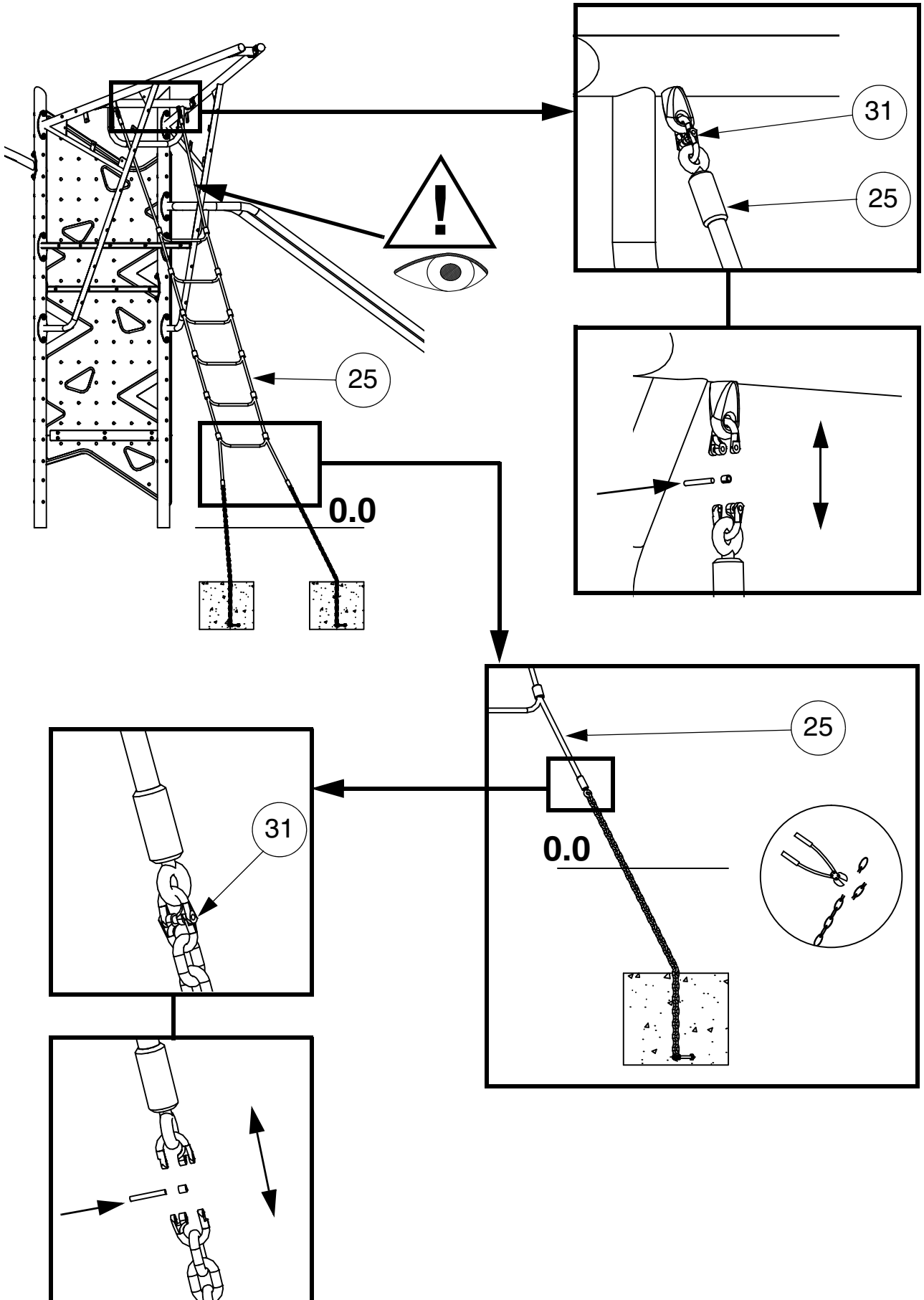
STEP 11



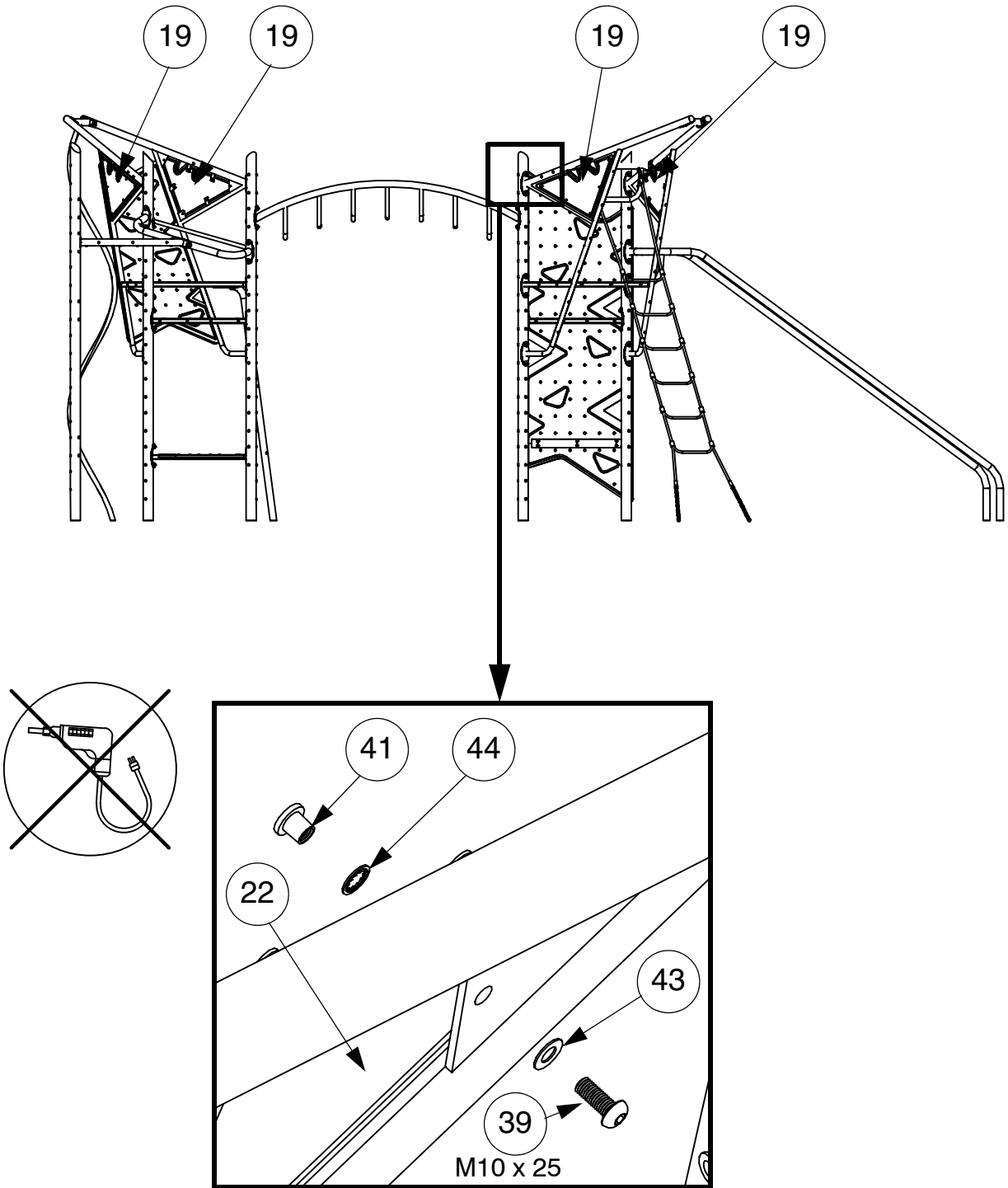
STEP 12



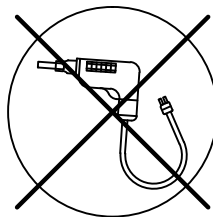
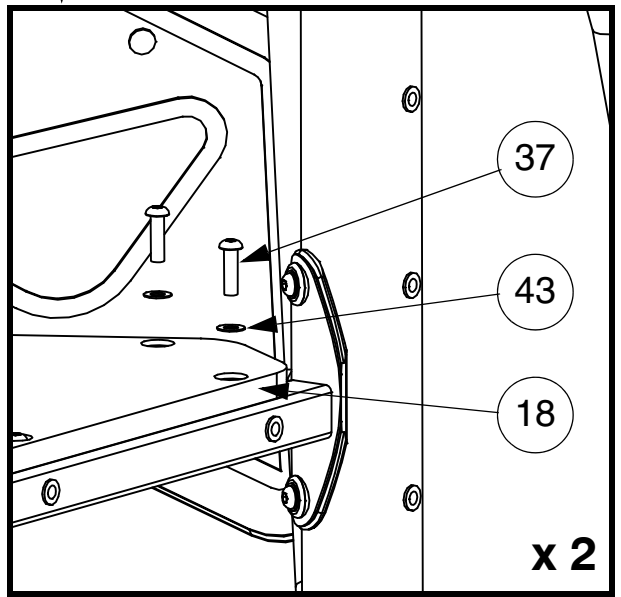
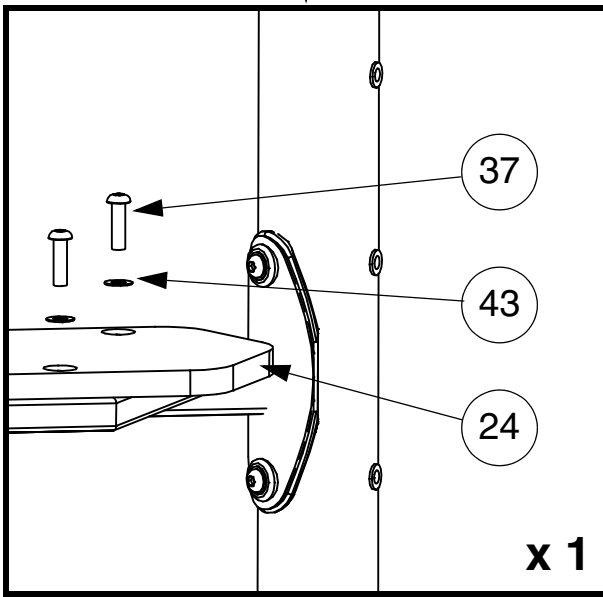
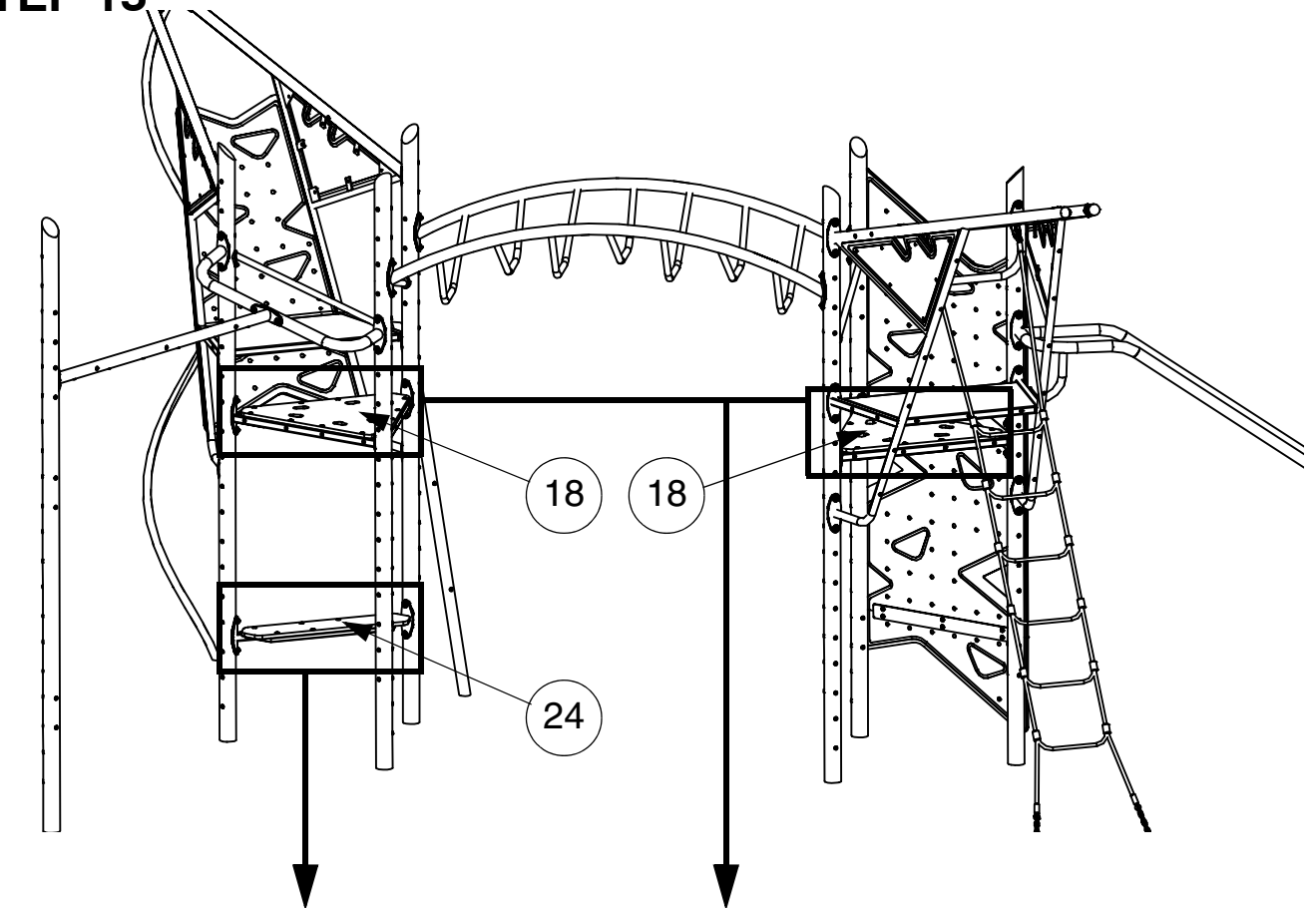
STEP 13



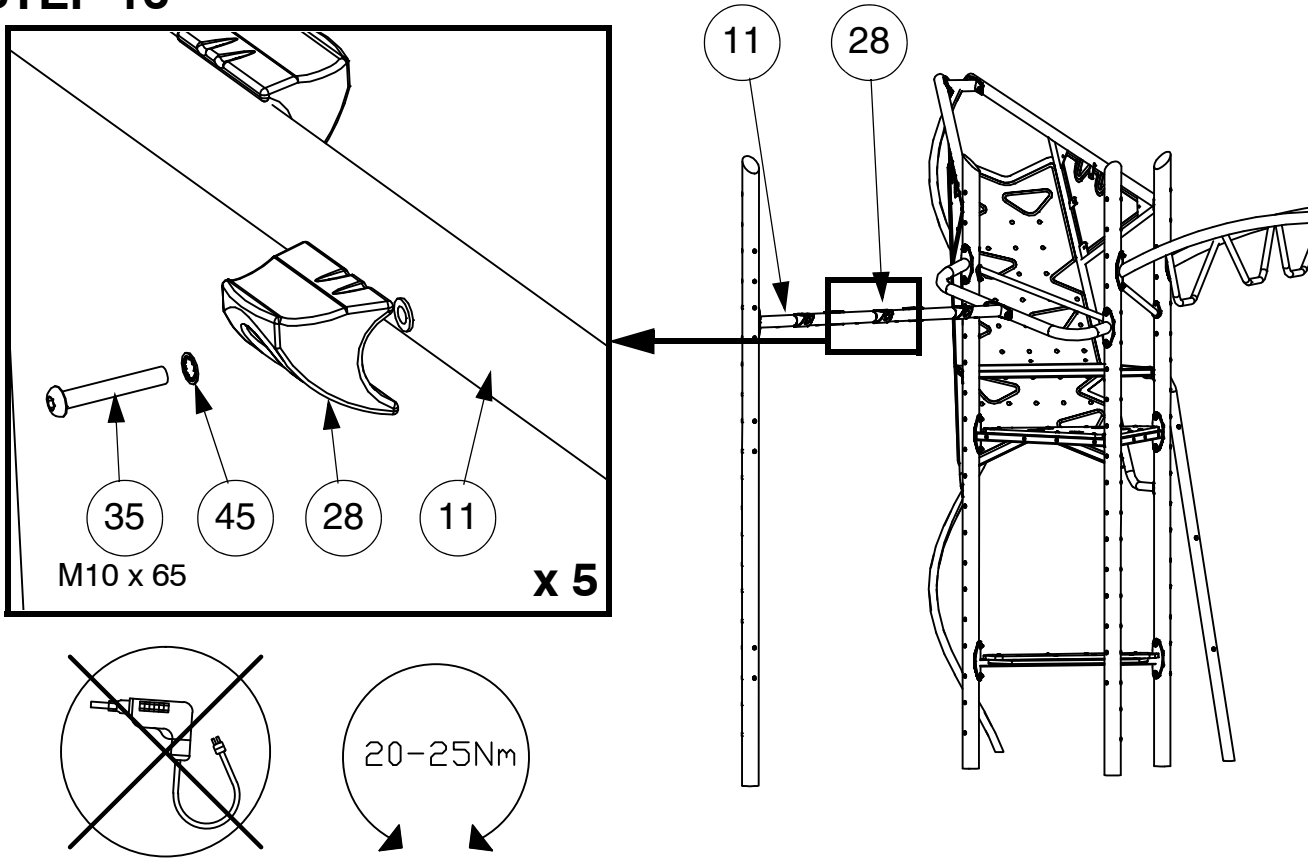
STEP 14



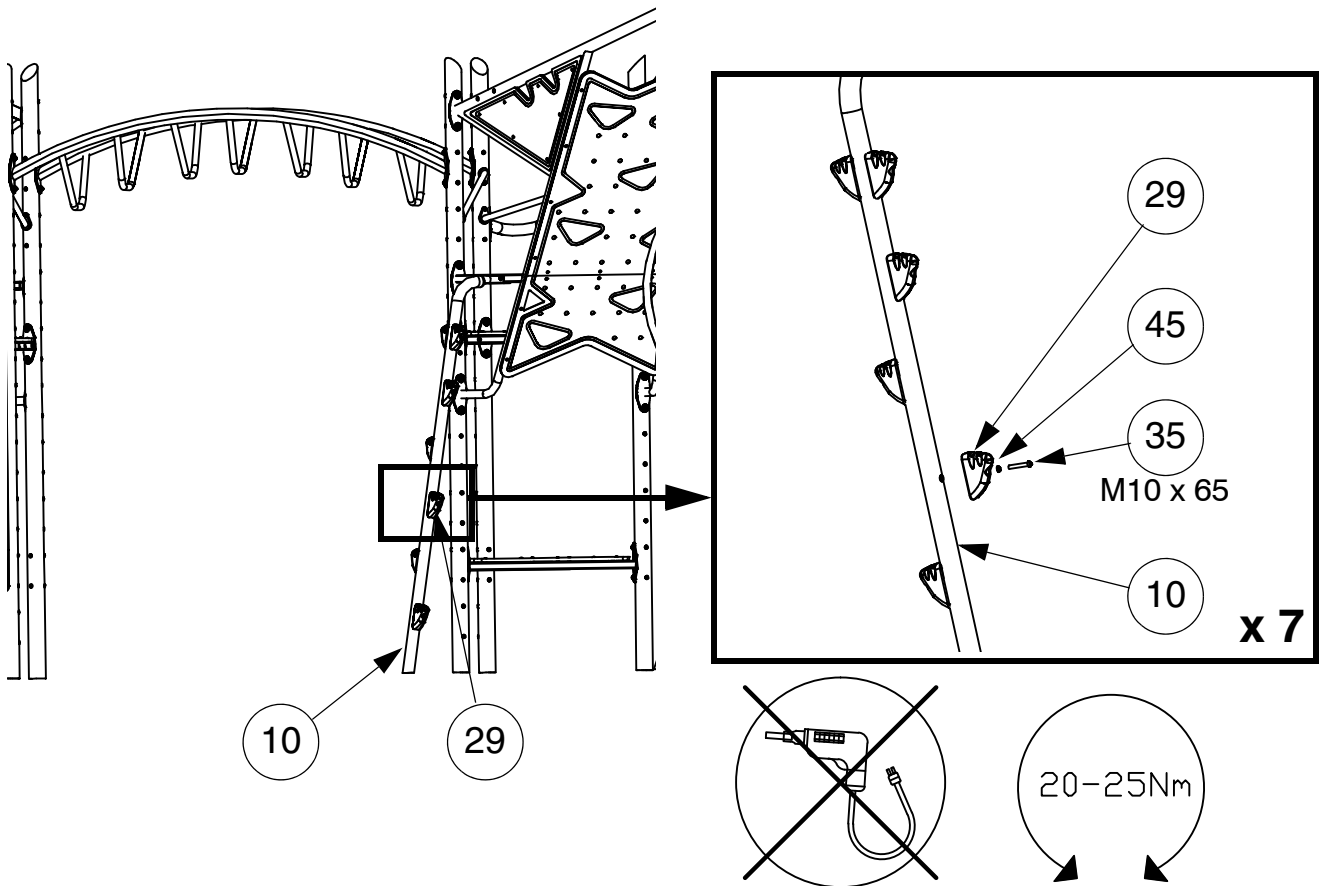
STEP 15



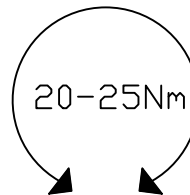
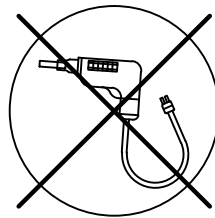
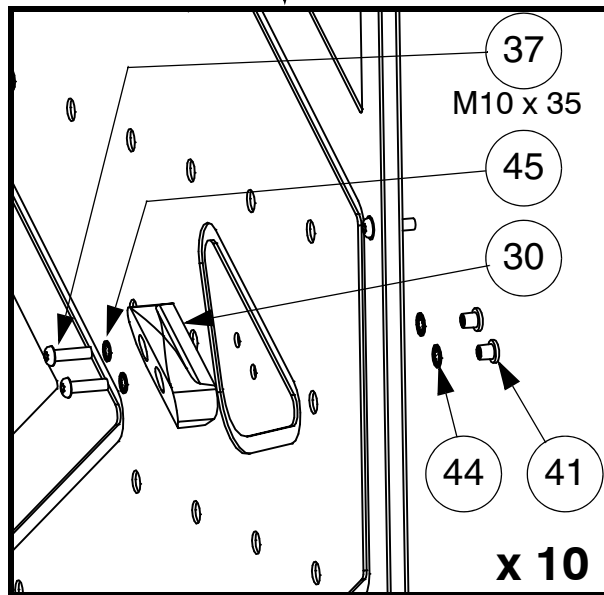
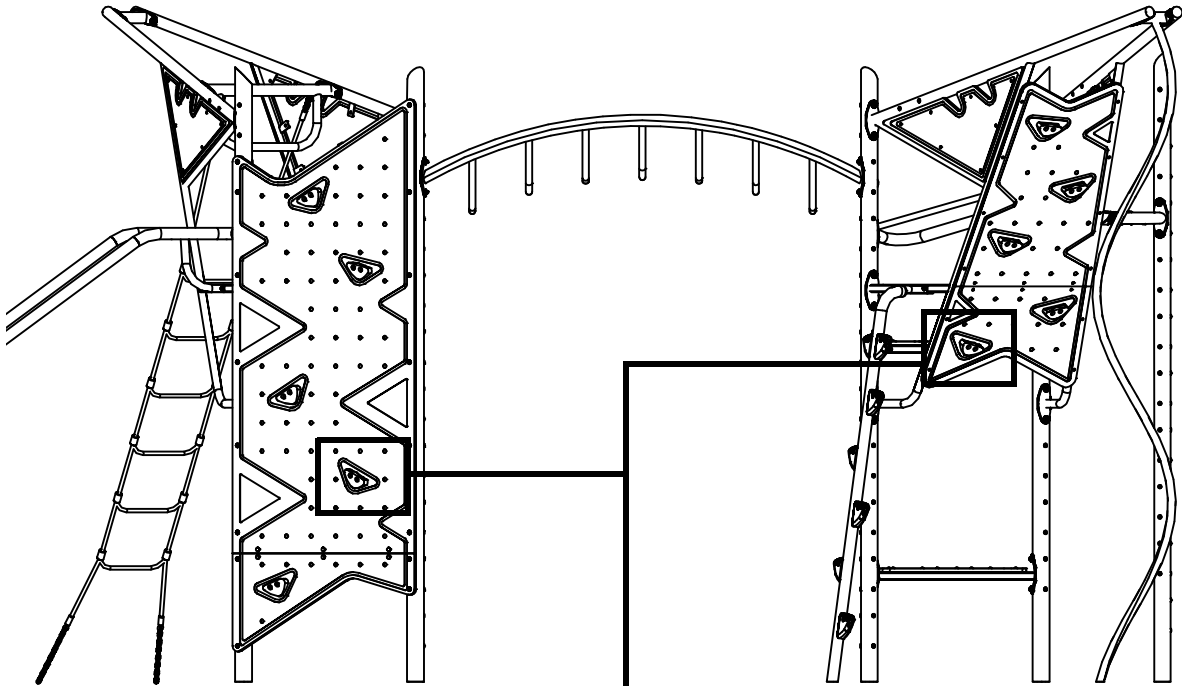
STEP 16



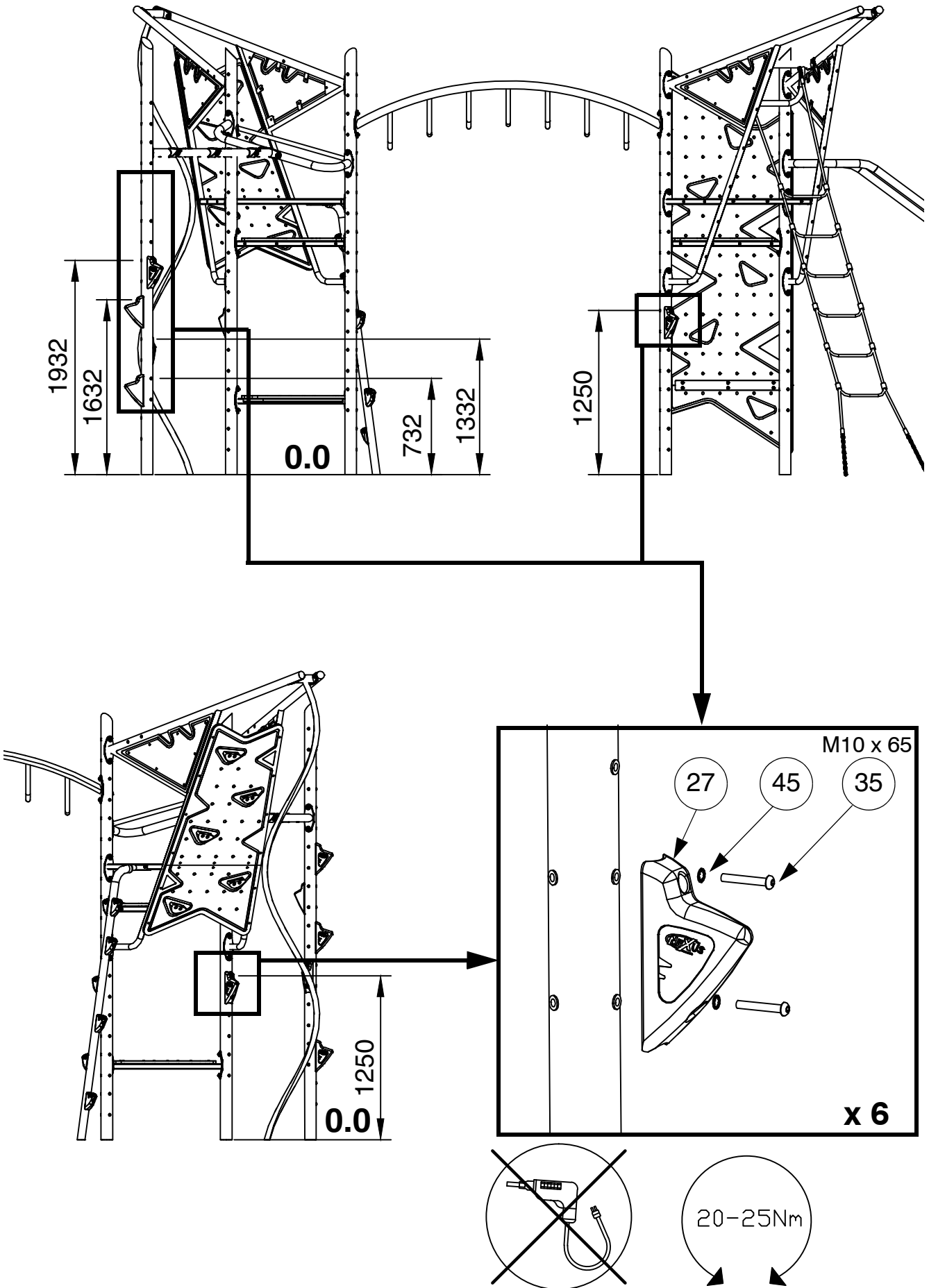
STEP 17



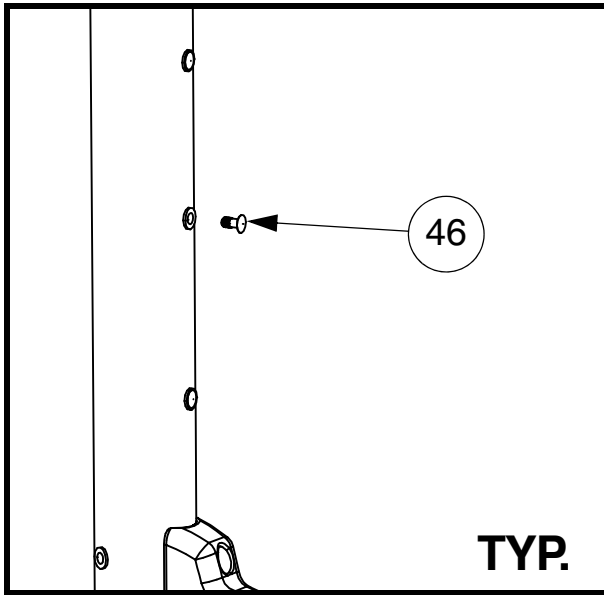
STEP 18

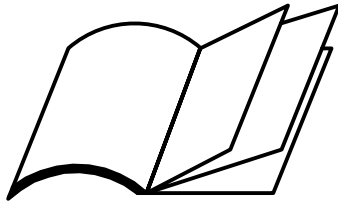


STEP 19

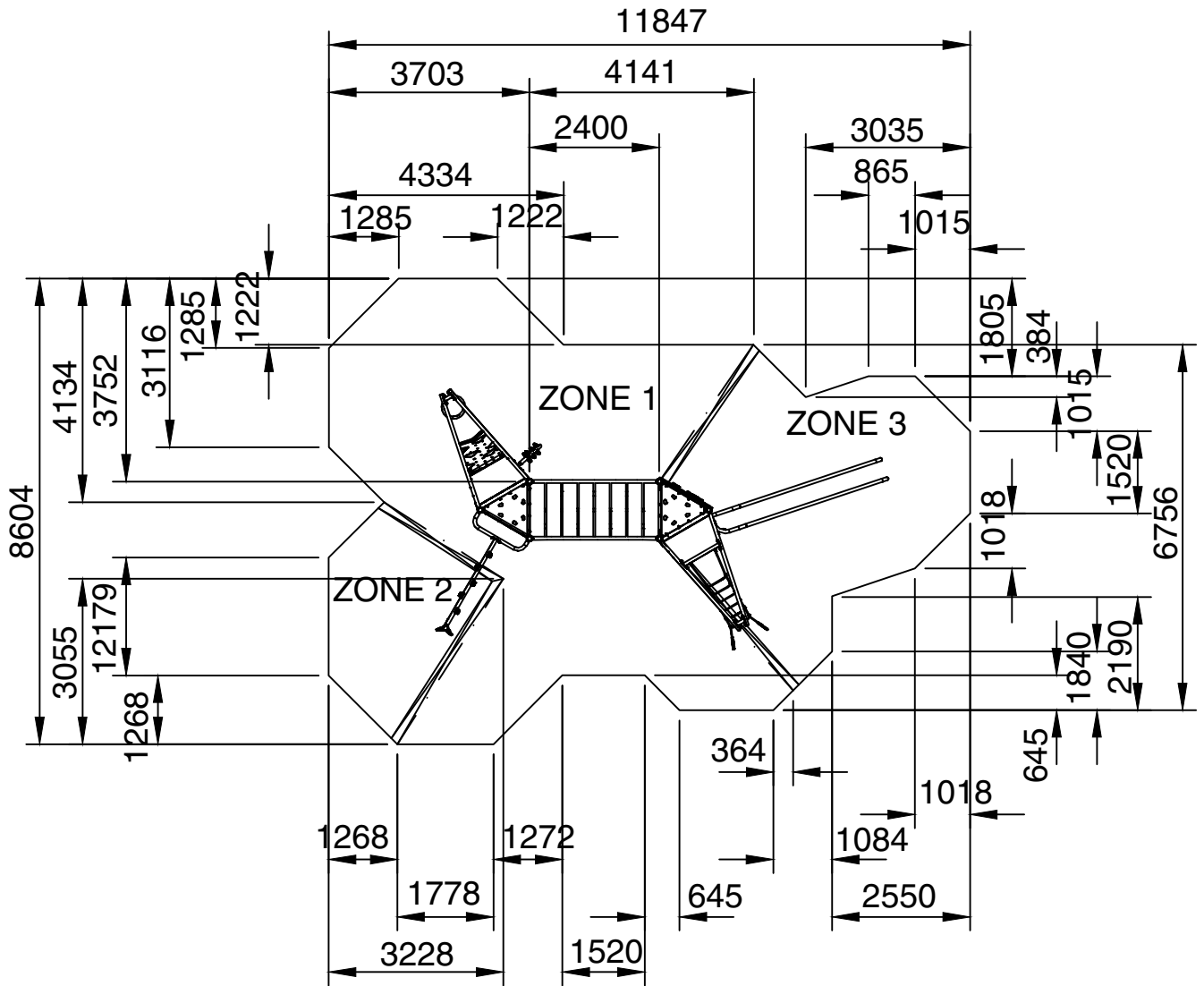


STEP 20





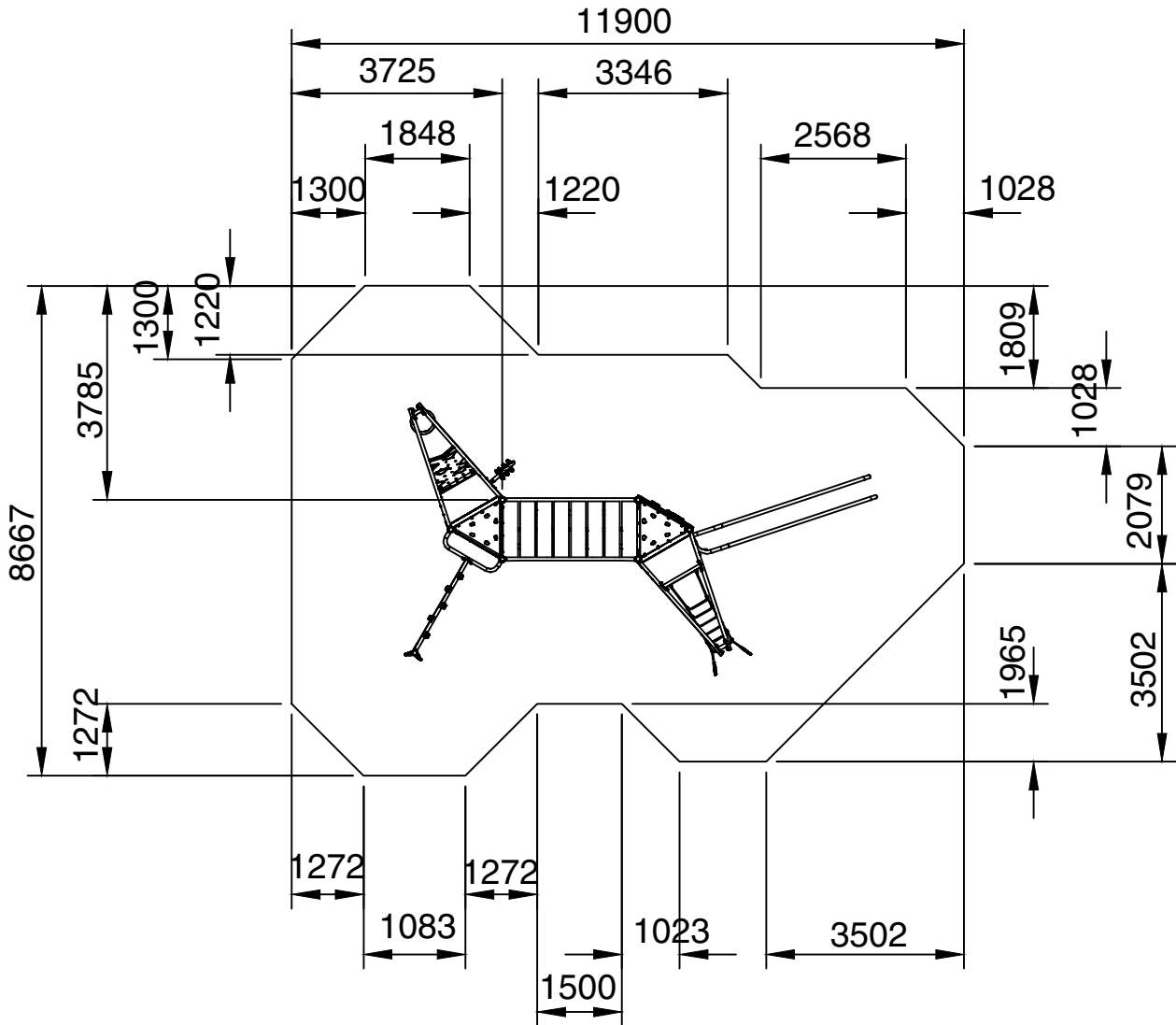
Appendix A:



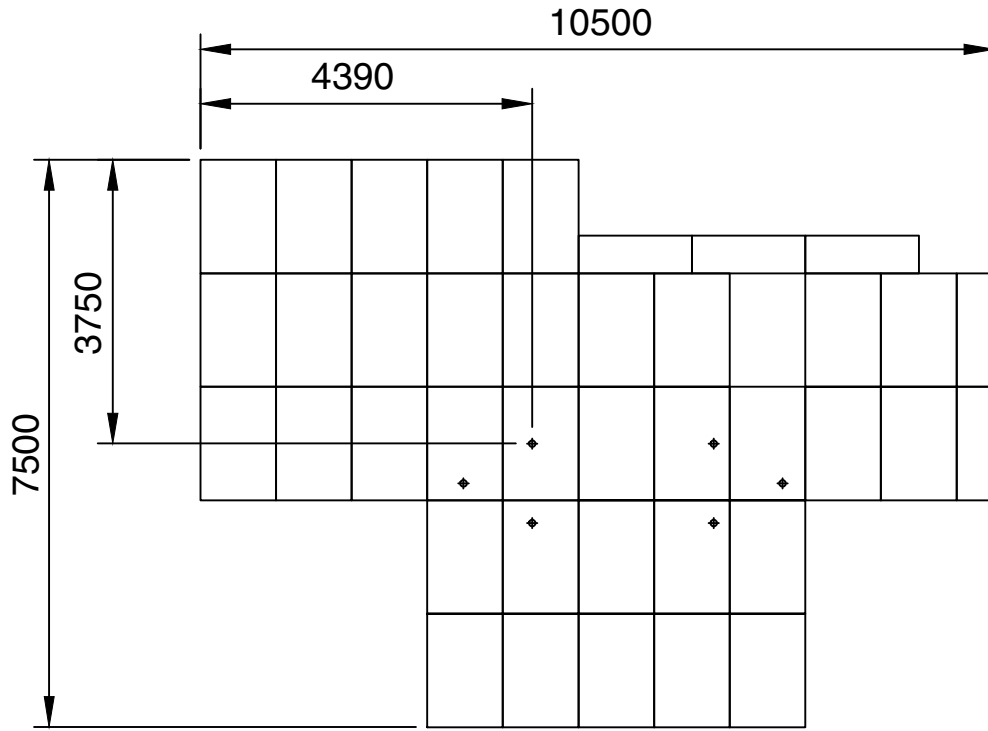
ZONE 1 FREEFALL HEIGHT = 3M
 ZONE 2 FREEFALL HEIGHT = 2.5M
 ZONE 3 FREEFALL HEIGHT = 2.7M

TYPE 3 SYNTHETIC

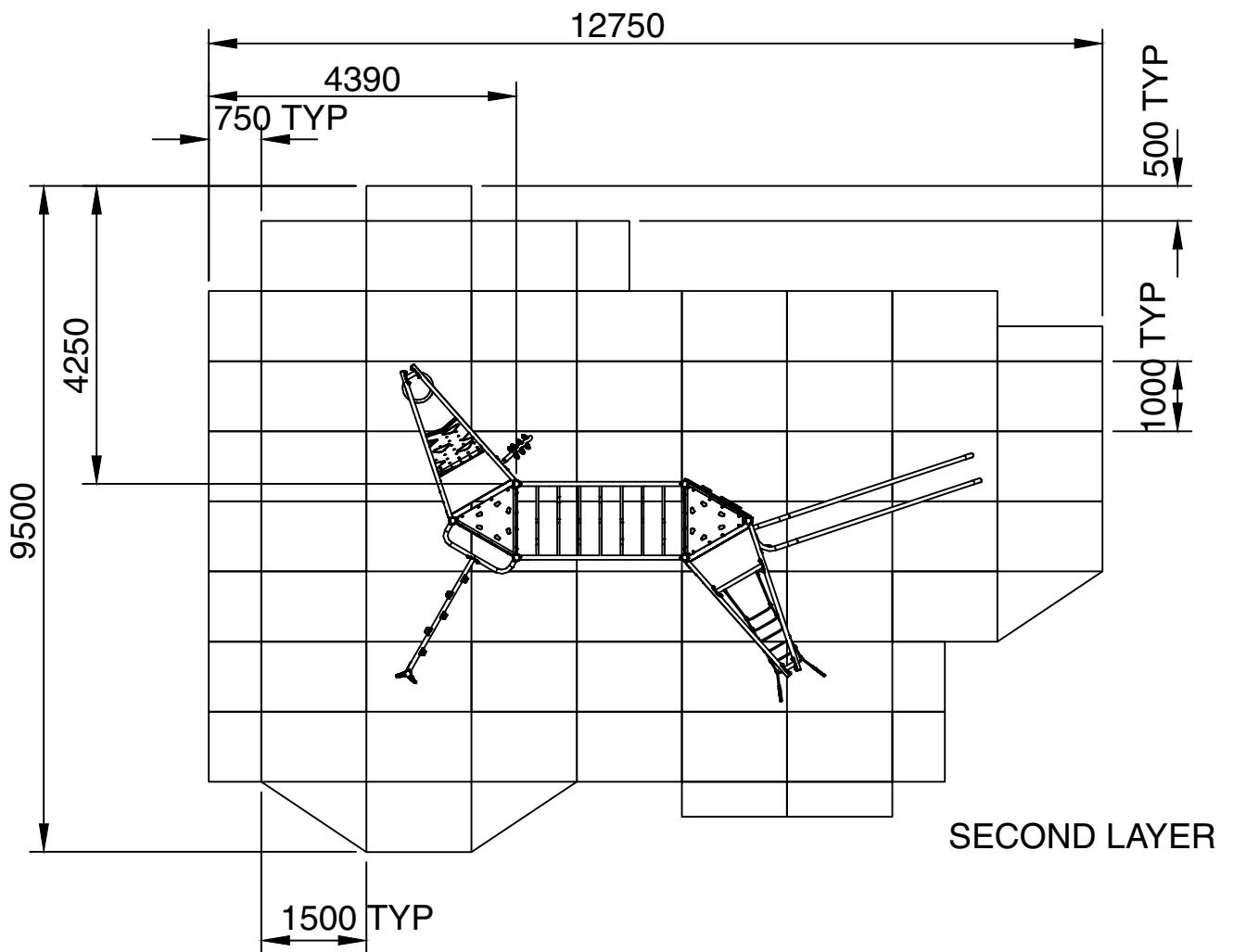




TYPE 1/2 LOOSEFILL  144



BASE LAYER



SECOND LAYER

TYPE 5 GRASSMATT FR  144

